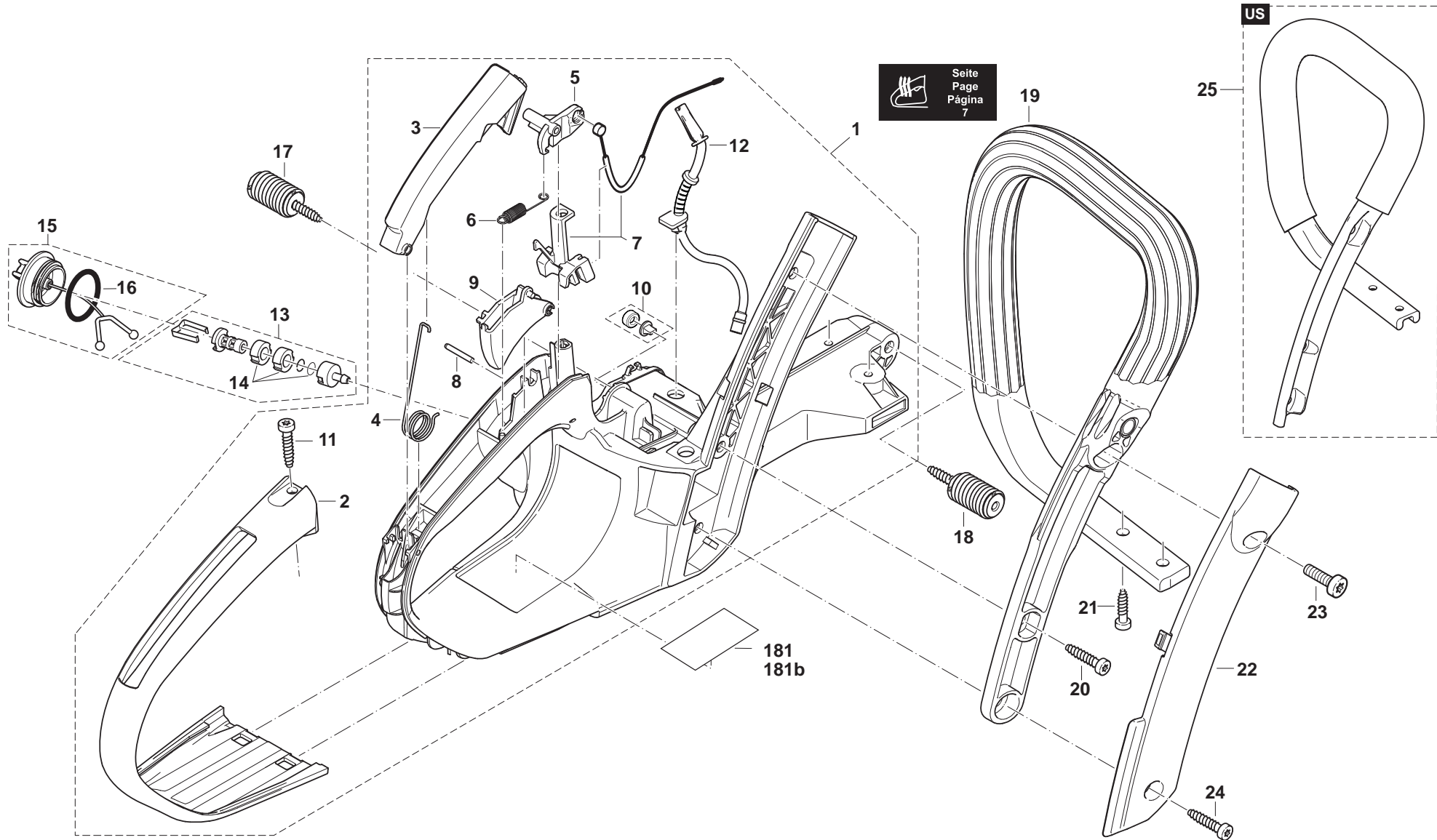


DCS460, DCS461, DCS500, DCS501,  
DCS4600S, DCS4600SH, DCS5000,  
DCS5000H, DCS5001, DCS5001H, DCS5121,  
DCS460, DCS510, DCS5121, DE5045

1

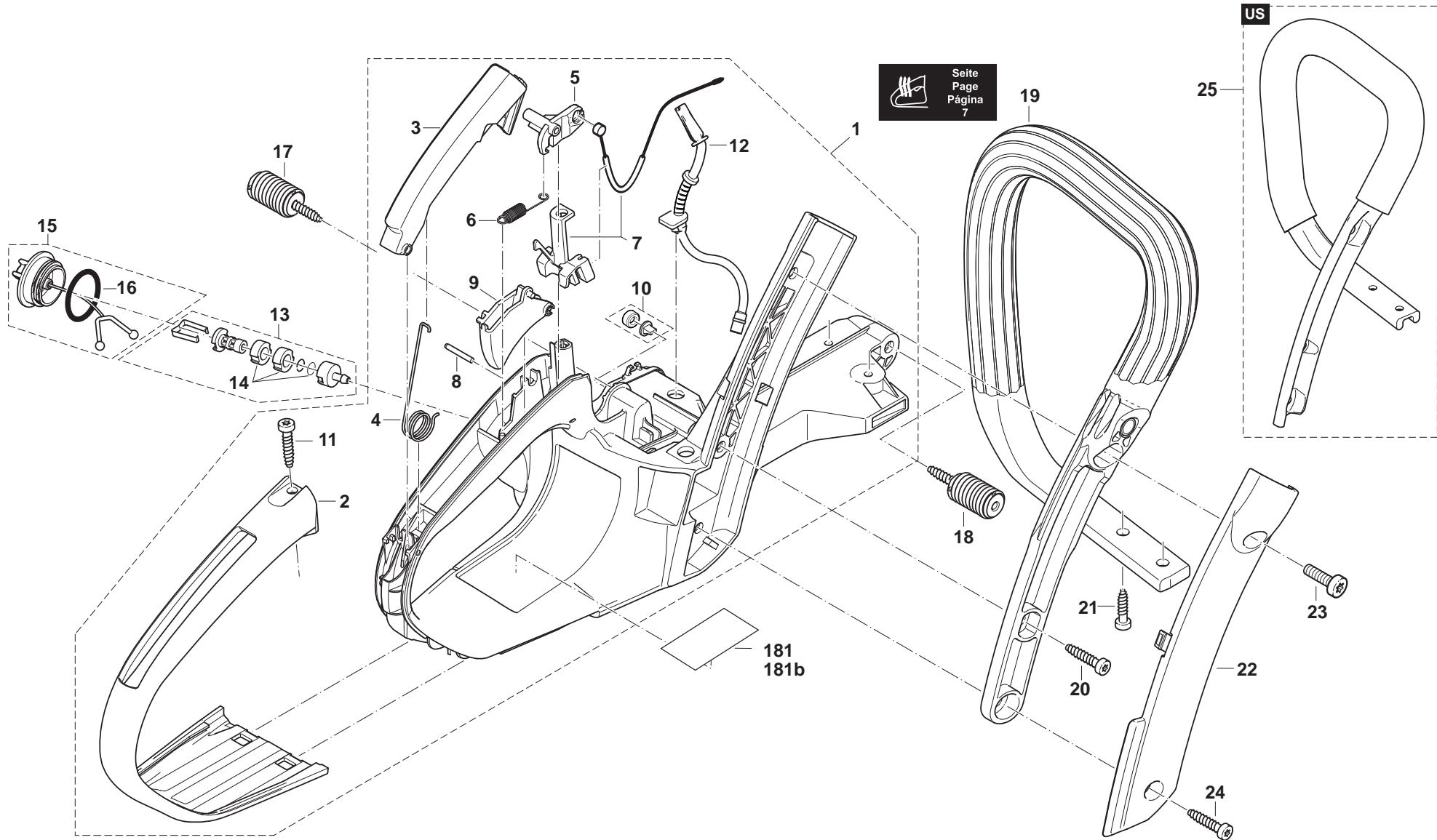
Kraftstofftank, Bügelgriff  
Fuel tank, tubular grip  
Réserv. carburant, poignée tubulaire  
Depósito de combustible, mango tubular



DCS460, DCS461, DCS500, DCS501,  
DCS4600S, DCS4600SH, DCS5000,  
DCS5000H, DCS5001, DCS5001H, DCS5121,  
DCS460, DCS510, DCS5121, DE5045

1

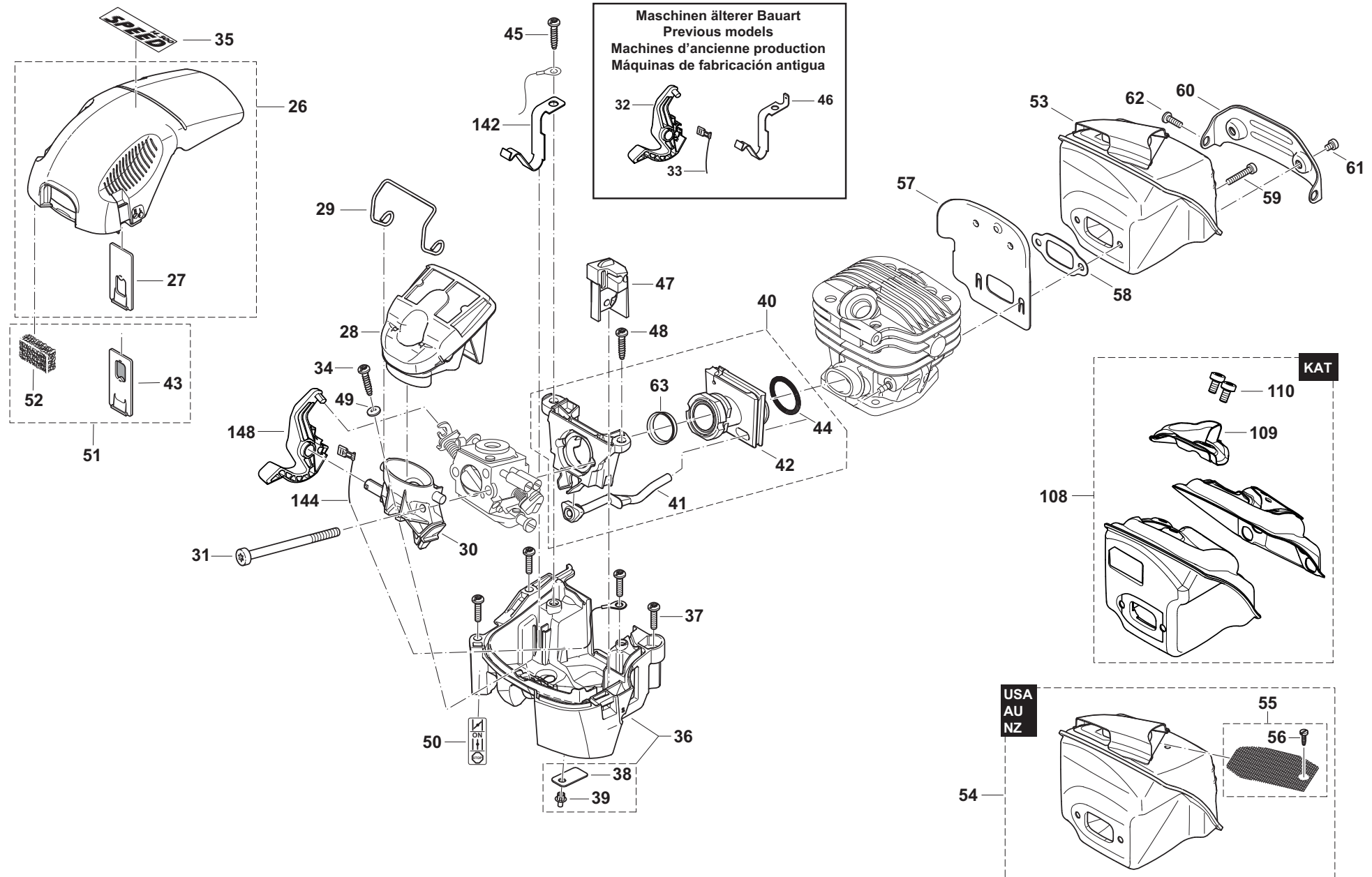
Kraftstofftank, Bügelgriff  
Fuel tank, tubular grip  
Réserv. carburant, poignée tubulaire  
Depósito de combustible, mango tubular



DCS460, DCS461, DCS500, DCS501,  
 DCS4600S, DCS4600SH, DCS5000,  
 DCS5000H, DCS5001, DCS5001H, DCS5121,  
 DCS460, DCS510, DCS5121, DE5045

2

Abdeckhaube, Luftfilter, Schalldämpfer  
 Hood, air filter, muffler  
 Capot protecteur, filtre à air, pot d'échappement  
 Cubierta protectora, filtro de aire, silencioso

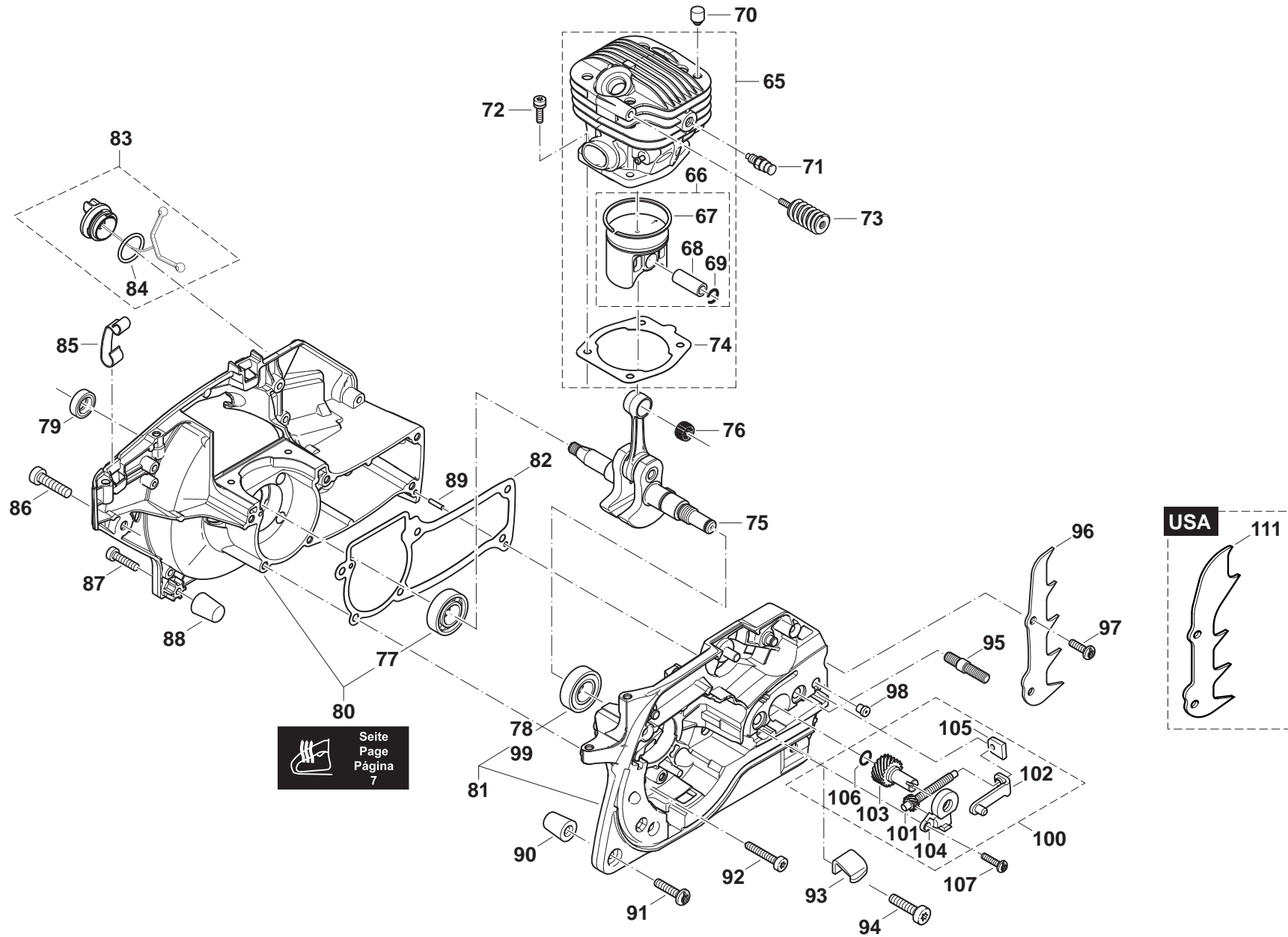




DCS460, DCS461, DCS500, DCS501,  
DCS4600S, DCS4600SH, DCS5000,  
DCS5000H, DCS5001, DCS5001H, DCS5121,  
DCS460, DCS510, DCS5121, DE5045

3

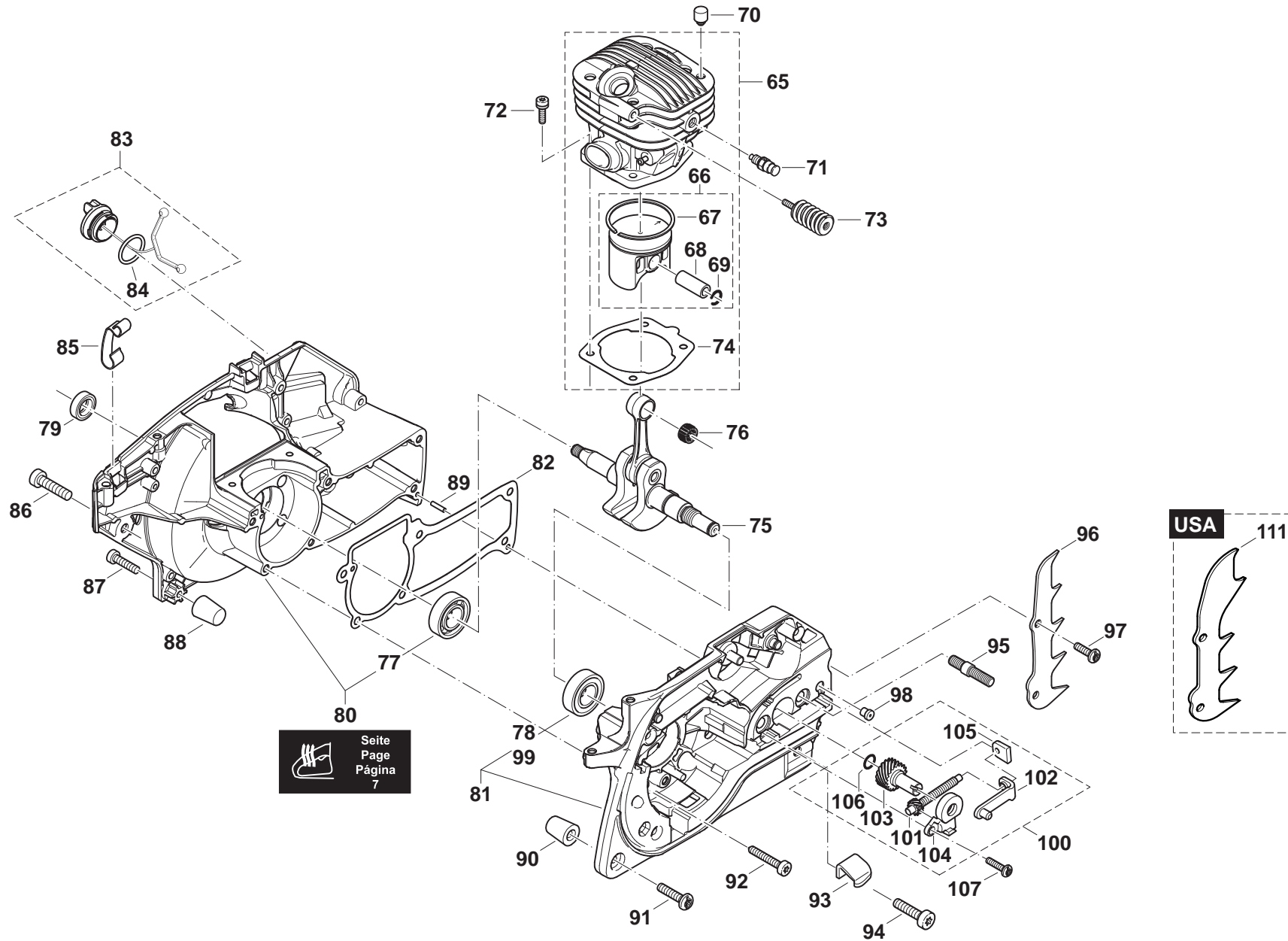
Zylinder, Kurbelgehäuse  
Cylinder, crankcase  
Cylindre, carter-vilebrequin  
Cilindro, cárter cigüeñal



DCS460, DCS461, DCS500, DCS501,  
DCS4600S, DCS4600SH, DCS5000,  
DCS5000H, DCS5001, DCS5001H, DCS5121,  
DCS460, DCS510, DCS5121, DE5045

3

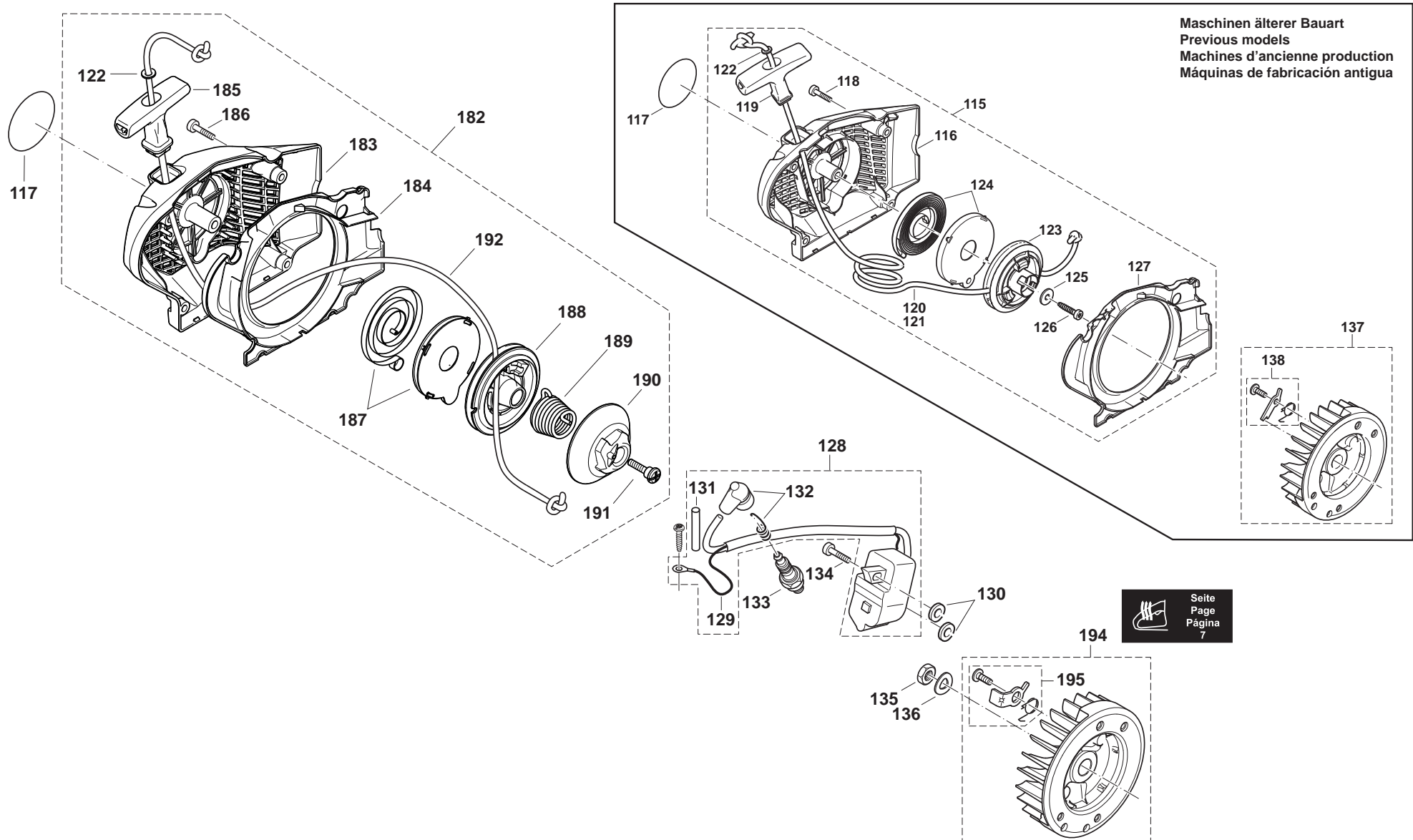
Zylinder, Kurbelgehäuse  
Cylinder, crankcase  
Cylindre, carter-vilebrequin  
Cilindro, cárter cigüeñal



DCS460, DCS461, DCS500, DCS501,  
DCS4600S, DCS4600SH, DCS5000,  
DCS5000H, DCS5001, DCS5001H, DCS5121,  
DCS460, DCS510, DCS5121, DE5045

4

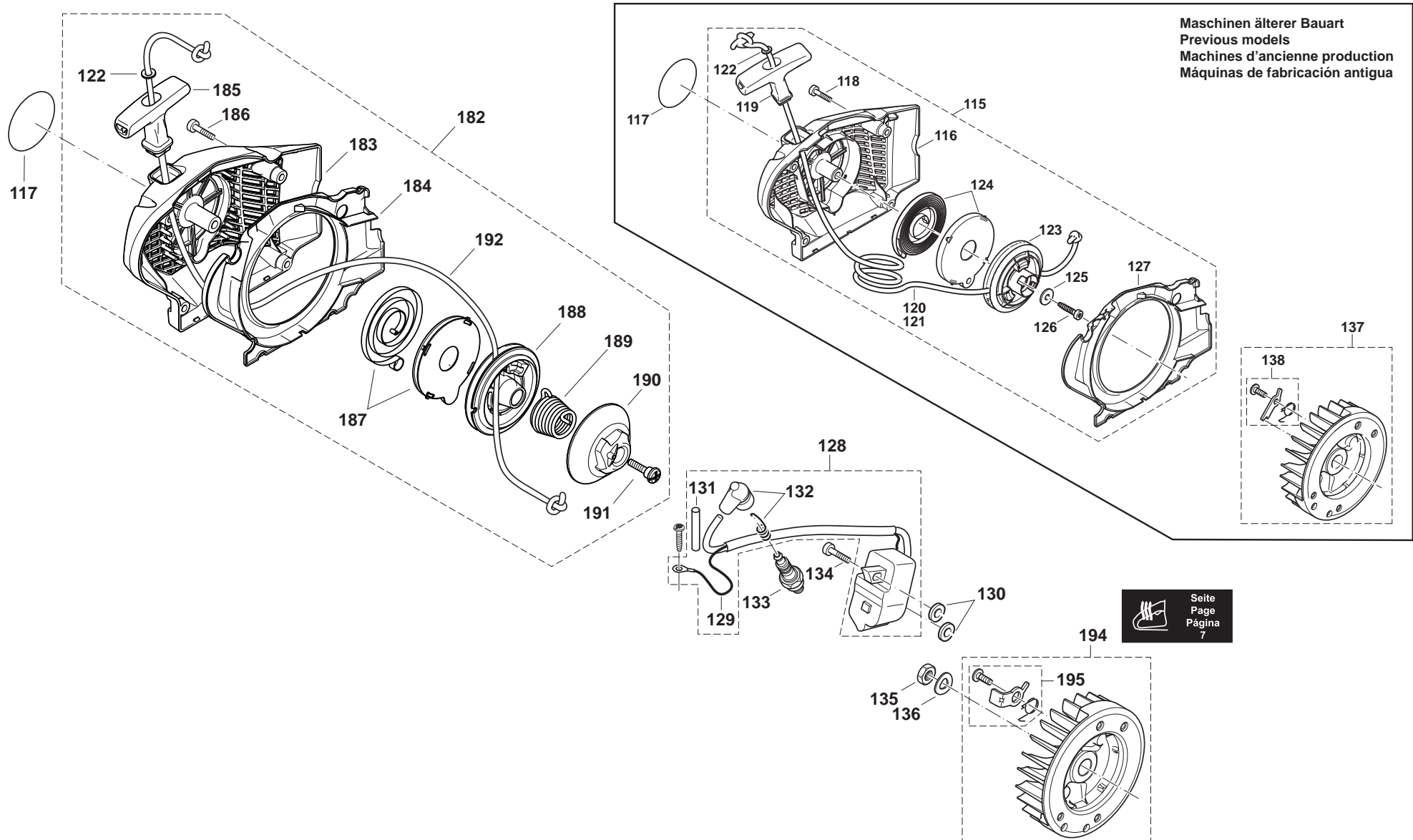
Zündelektronik, Anwerfvorrichtung  
Ignition electronics, starter  
Allumage électronique, dispositif de démarrage  
Bobina encendido, dispositivo de arranque



DCS460, DCS461, DCS500, DCS501,  
DCS4600S, DCS4600SH, DCS5000,  
DCS5000H, DCS5001, DCS5001H, DCS5121,  
DCS460, DCS510, DCS5121, DE5045

4

Zündelektronik, Anwerfvorrichtung  
Ignition electronics, starter  
Allumage électronique, dispositif de démarrage  
Bobina encendido, dispositivo de arranque

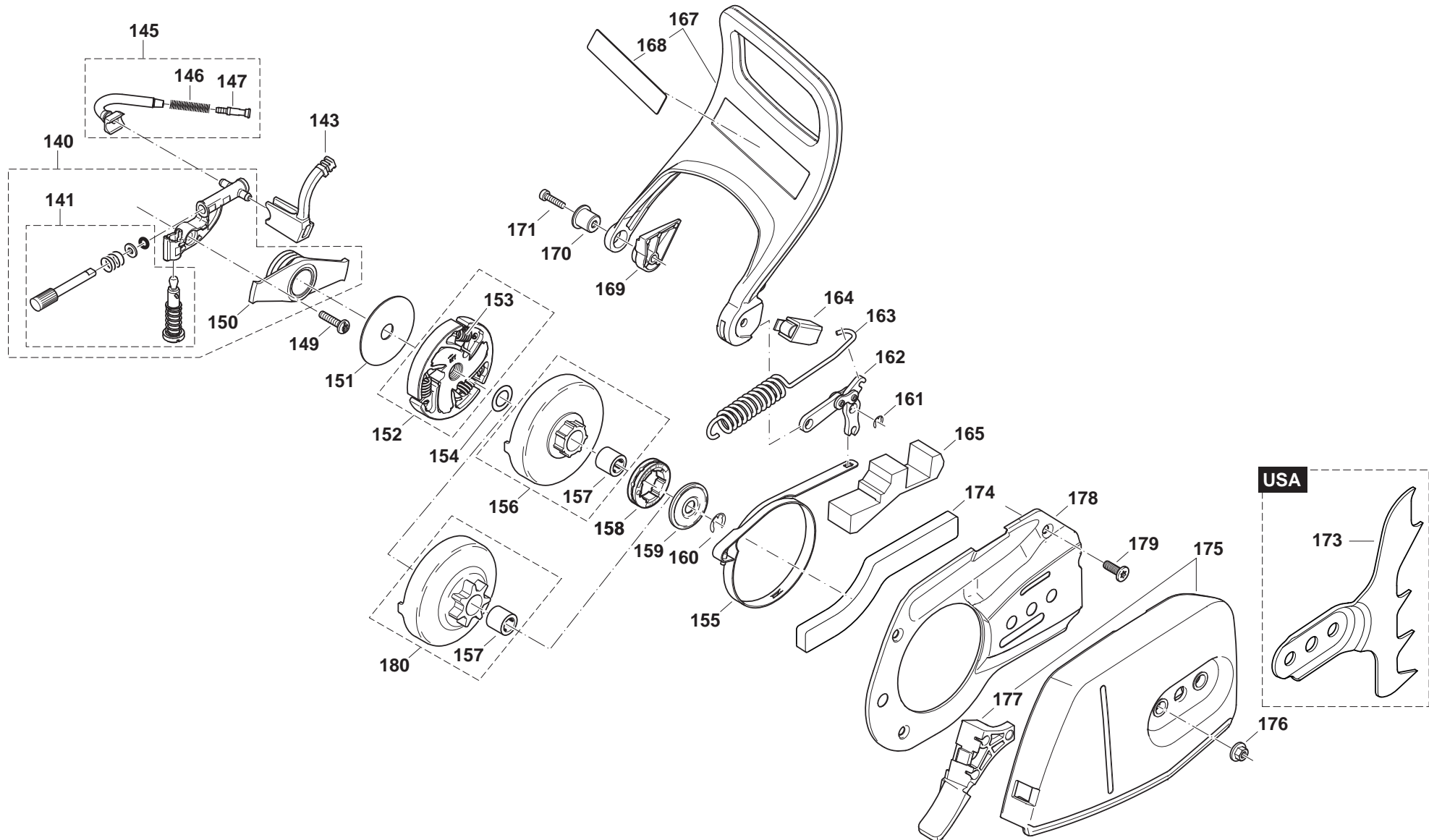


DCS460, DCS461, DCS500, DCS501,  
DCS4600S, DCS4600SH, DCS5000,  
DCS5000H, DCS5001, DCS5001H, DCS5121,  
DCS460, DCS510, DCS5121, DE5045

5

Ölpumpe, Kupplung, Kettenbremse  
Oil pump, clutch, chain brake  
Pompe à huile, embrayage, frein de chaîne  
Bomba de aceite, engrague, freno de cadena

**Makita**

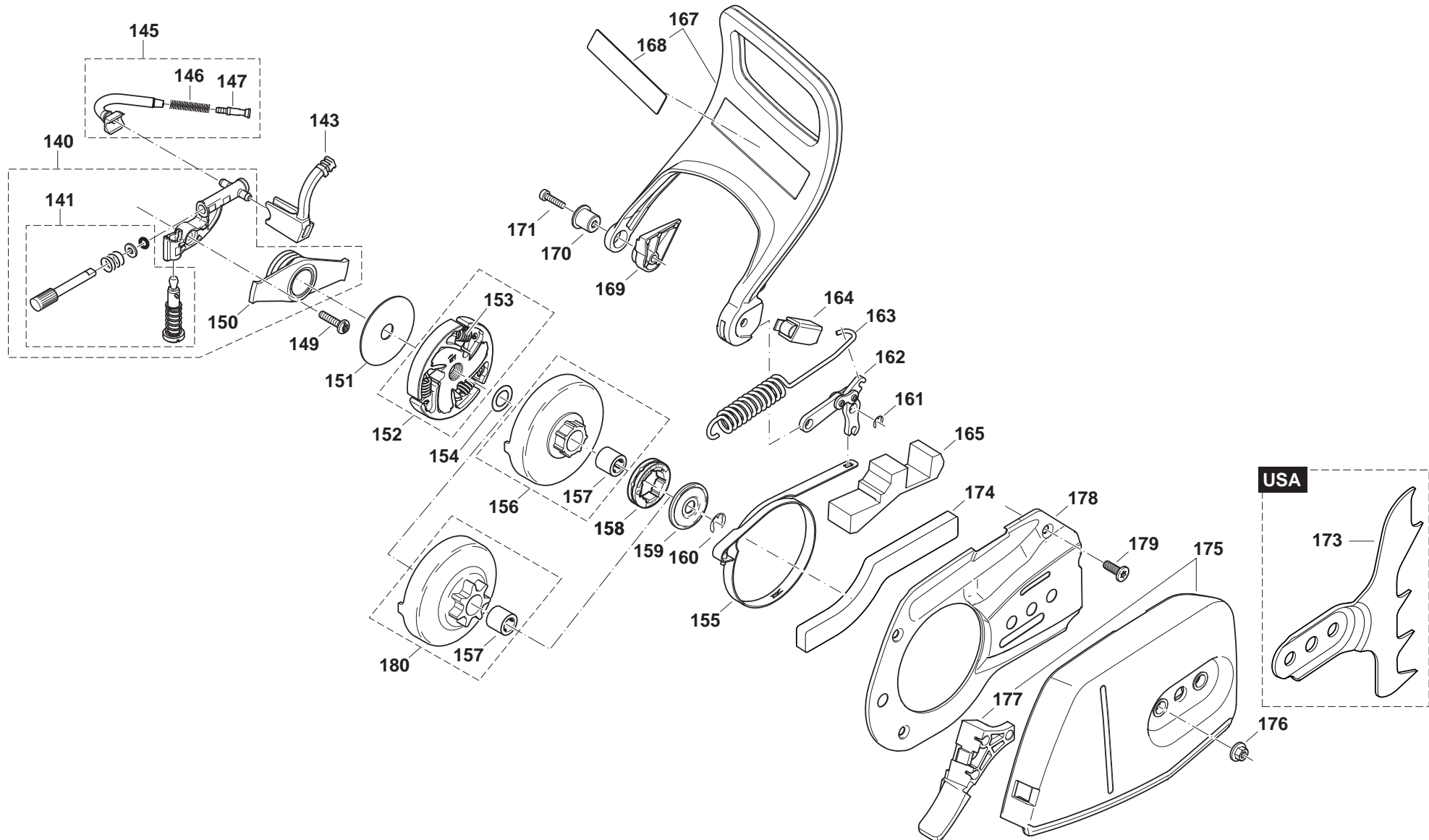


DCS460, DCS461, DCS500, DCS501,  
DCS4600S, DCS4600SH, DCS5000,  
DCS5000H, DCS5001, DCS5001H, DCS5121,  
DCS460, DCS510, DCS5121, DE5045

5

Ölpumpe, Kupplung, Kettenbremse  
Oil pump, clutch, chain brake  
Pompe à huile, embrayage, frein de chaîne  
Bomba de aceite, engrague, freno de cadena

**Makita**

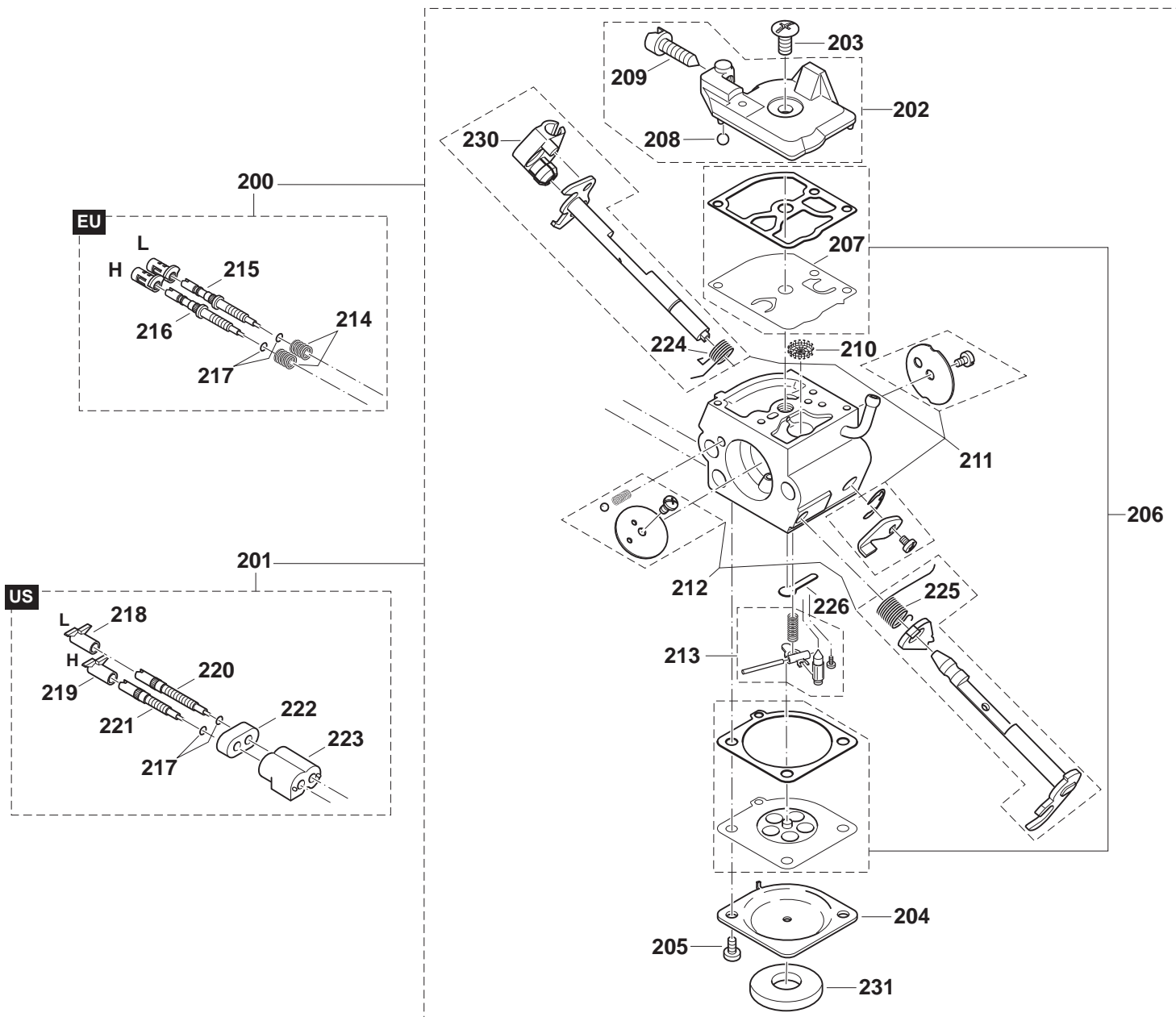


DCS460, DCS461, DCS500, DCS501,  
DCS4600S, DCS4600SH, DCS5000,  
DCS5000H, DCS5001, DCS5001H, DCS5121,  
DCS460, DCS510, DCS5121, DE5045

6

Vergaser  
Carburetor  
Carburateur  
Carburador

**Makita**<sup>®</sup>

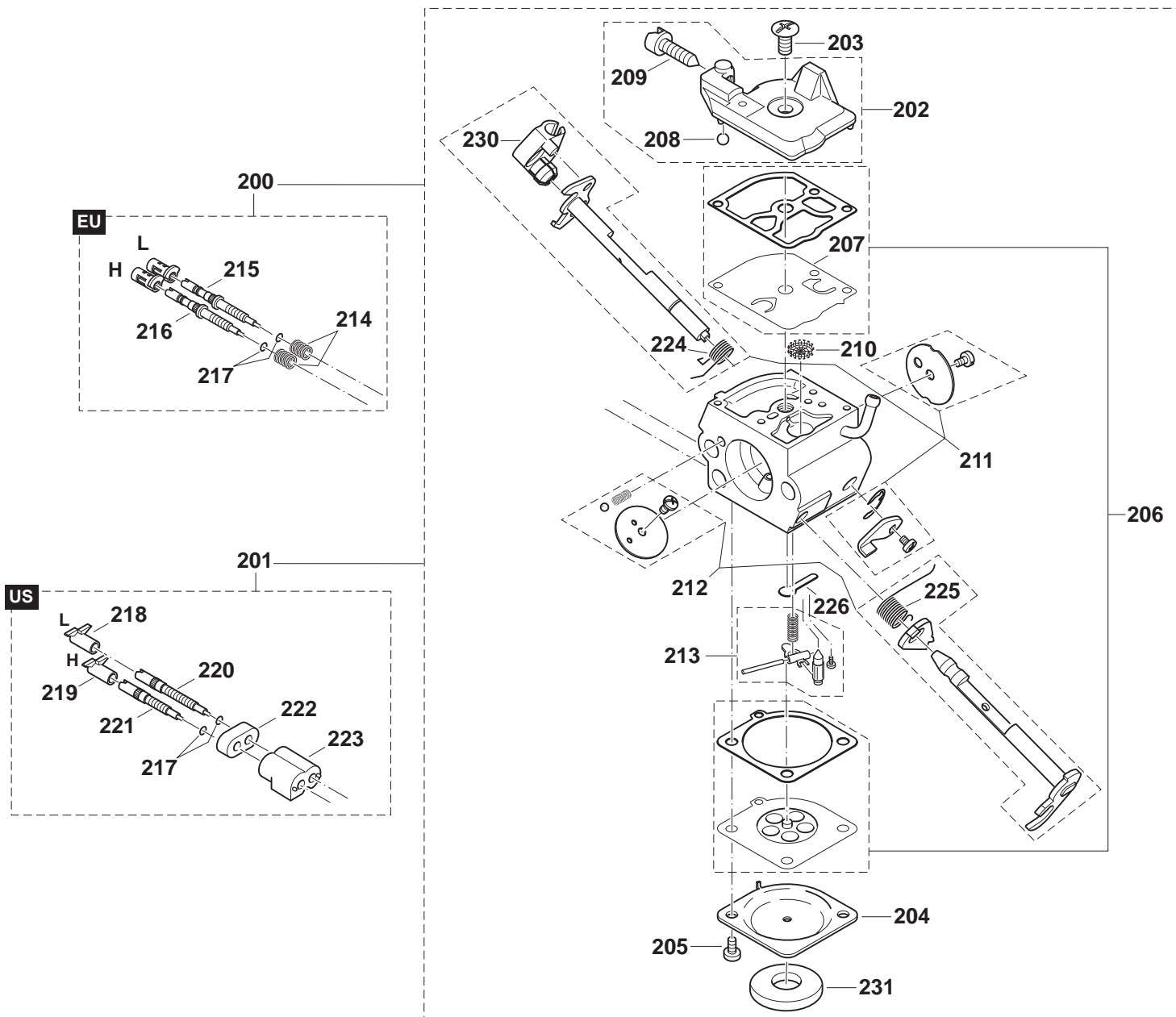


DCS460, DCS461, DCS500, DCS501,  
DCS4600S, DCS4600SH, DCS5000,  
DCS5000H, DCS5001, DCS5001H, DCS5121,  
DCS460, DCS510, DCS5121, DE5045

6

Vergaser  
Carburetor  
Carburateur  
Carburador

**Makita**

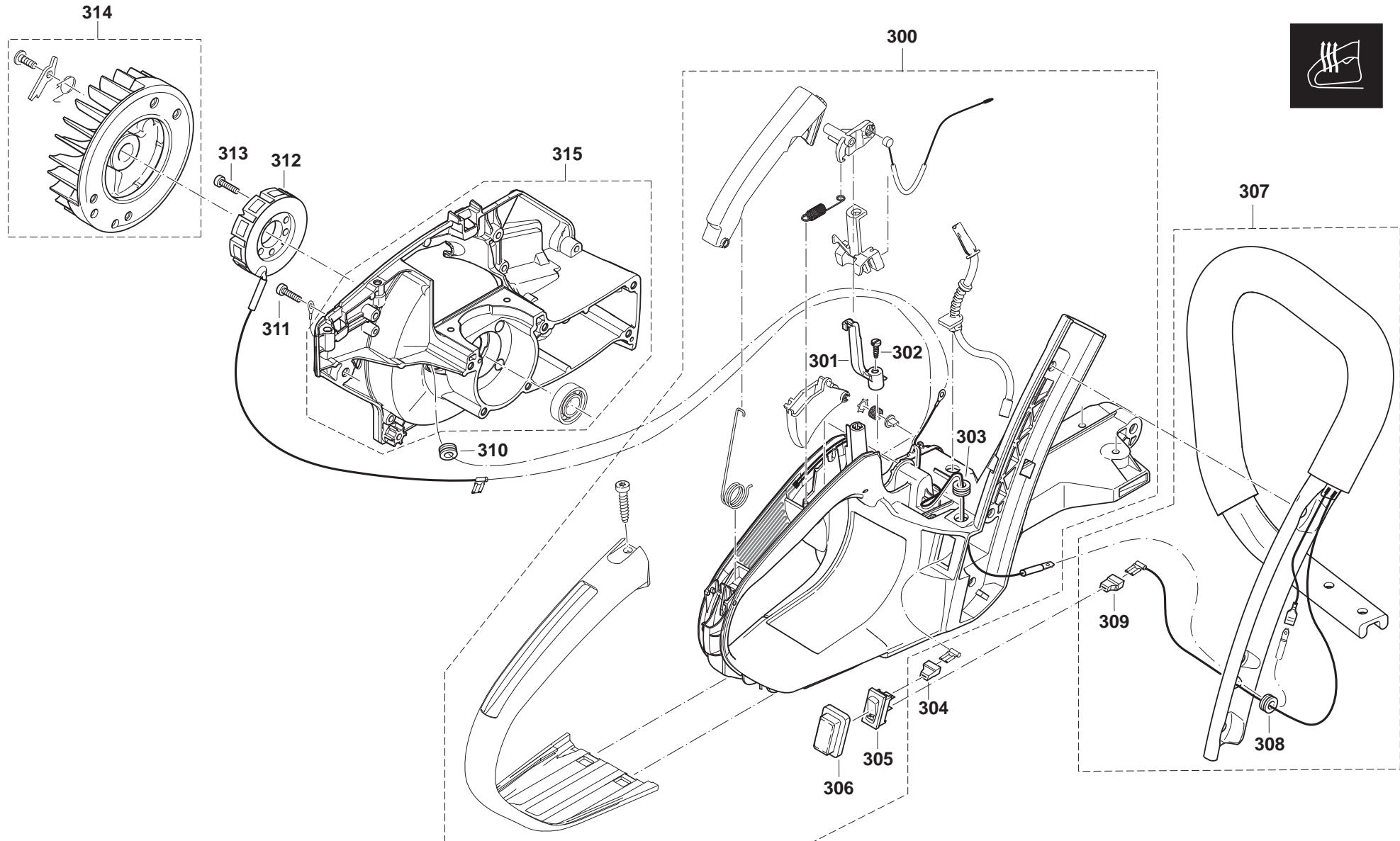


DCS460, DCS461, DCS500, DCS501,  
DCS4600S, DCS4600SH, DCS5000,  
DCS5000H, DCS5001, DCS5001H, DCS5121,  
DCS460, DCS510, DCS5121, DE5045

7

Spezialteile für Ausrüstung mit elektrischer Griffheizung  
Special parts for version with electric handle heating  
Pièces spéciales pour version avec chauffage de la poignée (électrique)  
Piezas especiales por tipo con calefacción eléctrica de mango

**Makita**<sup>®</sup>



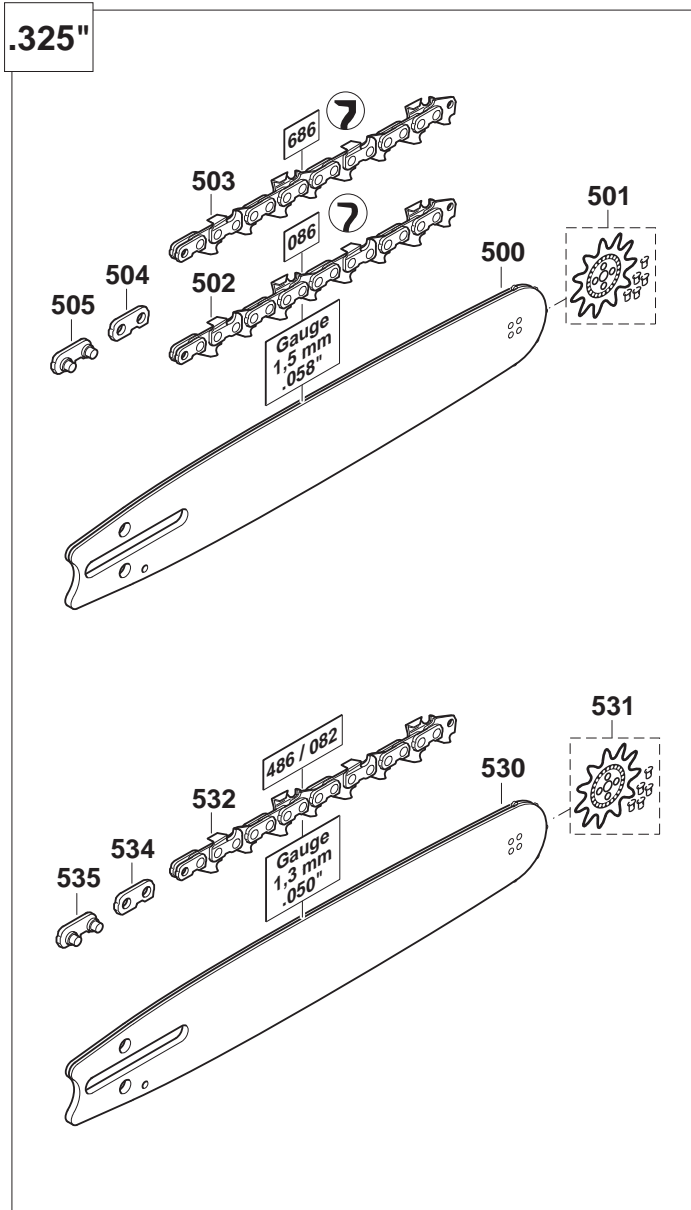
DCS460, DCS461, DCS500, DCS501,  
DCS4600S, DCS4600SH, DCS5000,  
DCS5000H, DCS5001, DCS5001H, DCS5121,  
DCS460, DCS510, DCS5121, DE5045

8

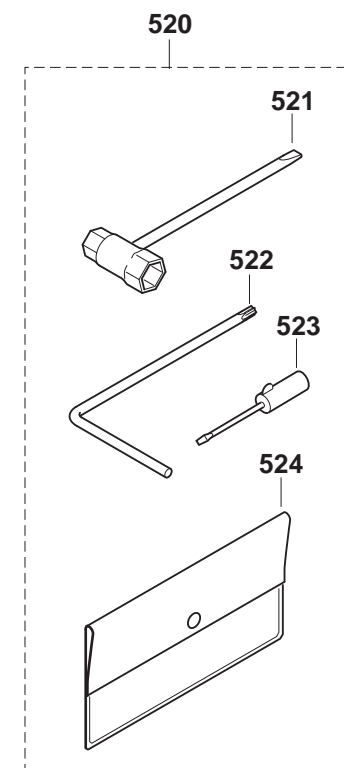
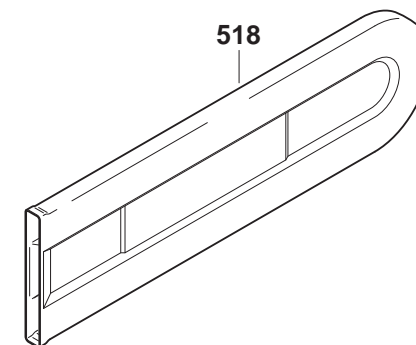
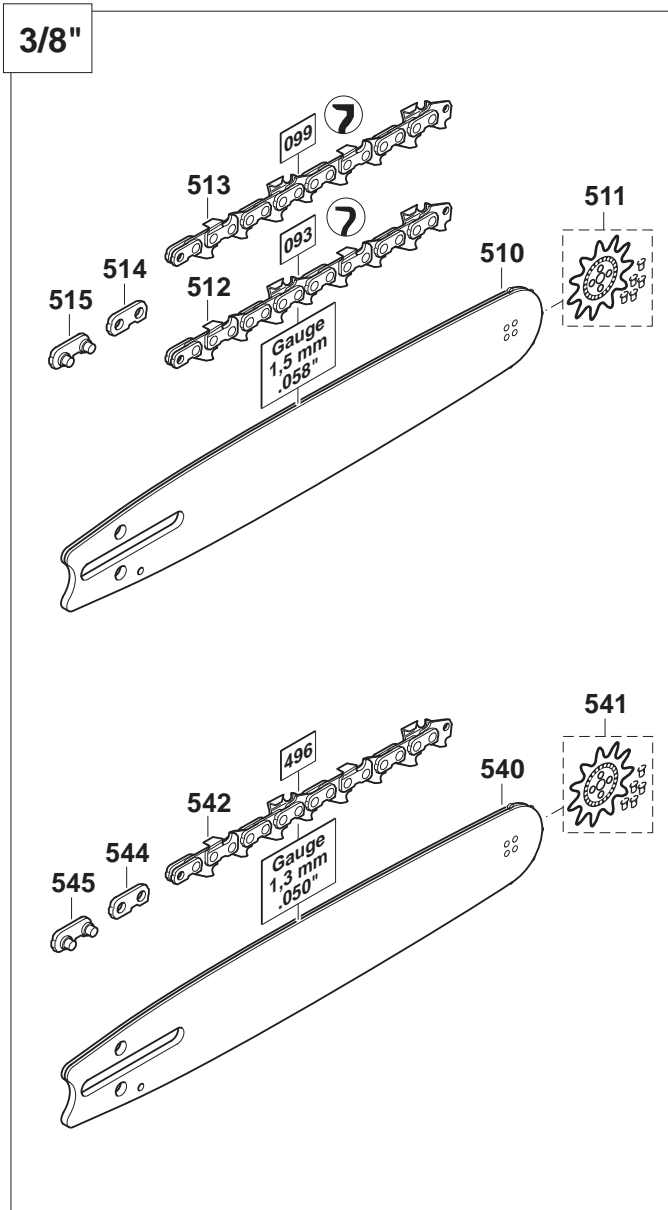
Sägeschienen, Sägeketten, Werkzeug  
Guide bars, saw chains, tools  
Guide-chaîne, chaînes, outils  
Rieles guía, cadenas sierra, herramientas



.325"



3/8"



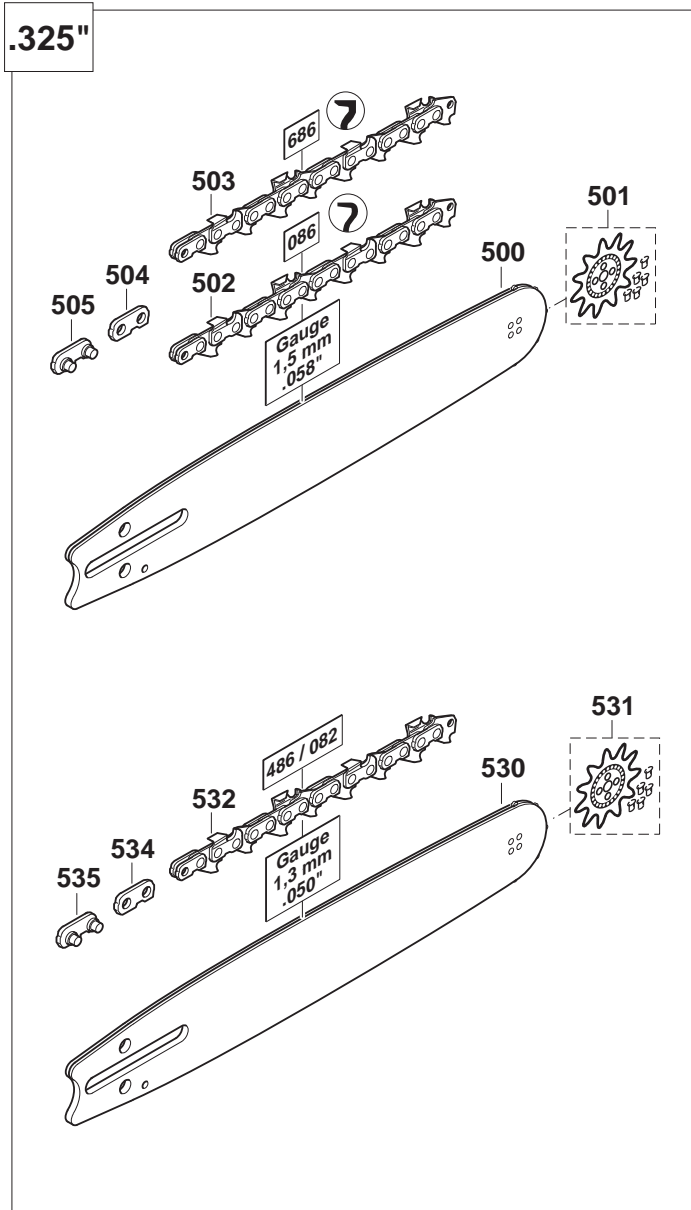
DCS460, DCS461, DCS500, DCS501,  
DCS4600S, DCS4600SH, DCS5000,  
DCS5000H, DCS5001, DCS5001H, DCS5121,  
DCS460, DCS510, DCS5121, DE5045

8

Sägeschienen, Sägeketten, Werkzeug  
Guide bars, saw chains, tools  
Guide-chaîne, chaînes, outils  
Rieles guía, cadenas sierra, herramientas



.325"



3/8"

