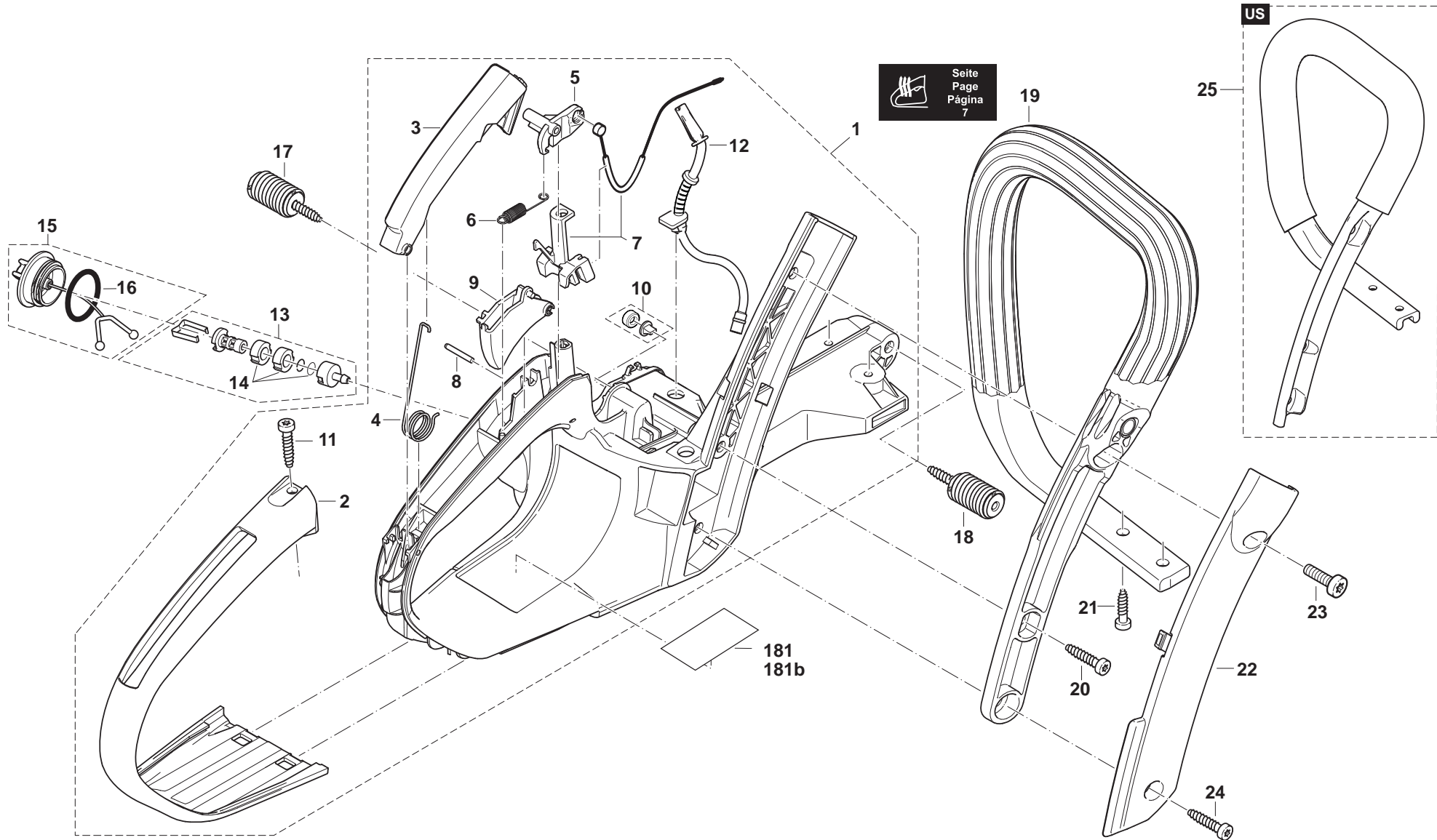


DCS460, DCS461, DCS500, DCS501,
DCS4600S, DCS4600SH, DCS5000,
DCS5000H, DCS5001, DCS5001H, DCS5121,
DCS460, DCS510, DCS5121, DE5045

1

Kraftstofftank, Bügelgriff
Fuel tank, tubular grip
Réserv. carburant, poignée tubulaire
Depósito de combustible, mango tubular

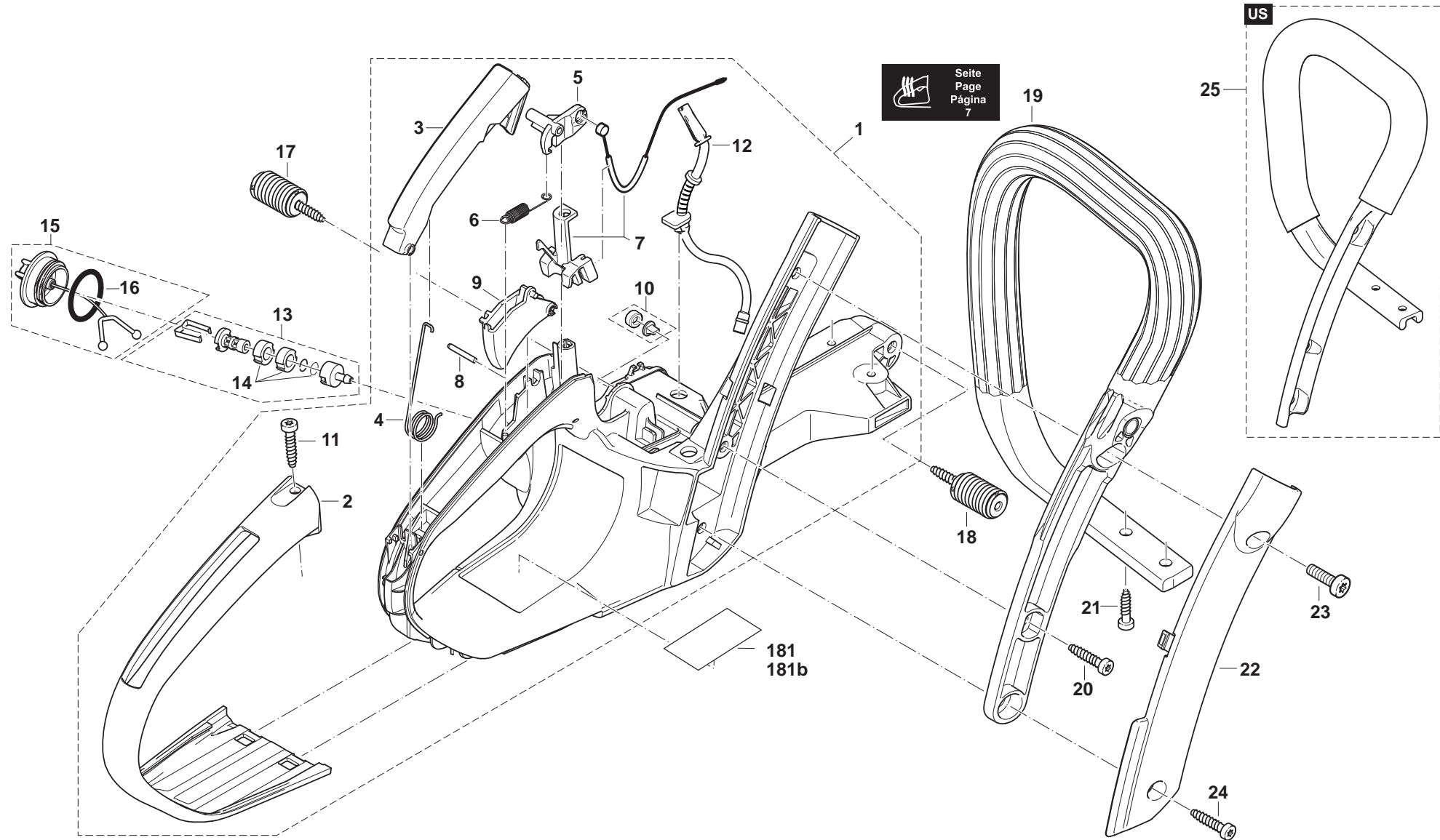


DCS460, DCS461, DCS500, DCS501,
DCS4600S, DCS4600SH, DCS5000,
DCS5000H, DCS5001, DCS5001H, DCS5121,
DCS460, DCS510, DCS5121, DE5045

1

Kraftstofftank, Bügelgriff
Fuel tank, tubular grip
Réserv. carburant, poignée tubulaire
Depósito de combustible, mango tubular

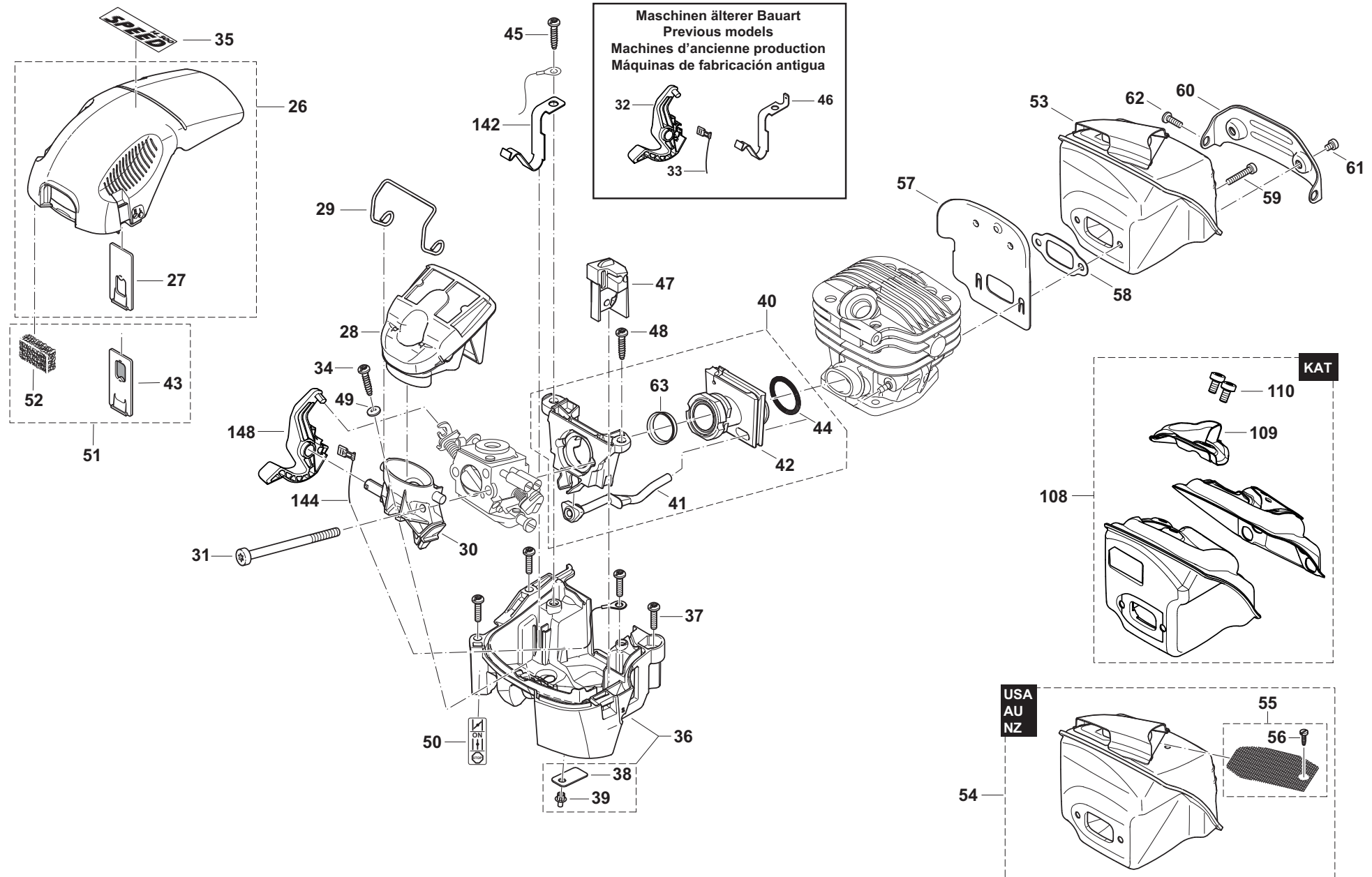
Makita[®]



DCS460, DCS461, DCS500, DCS501,
 DCS4600S, DCS4600SH, DCS5000,
 DCS5000H, DCS5001, DCS5001H, DCS5121,
 DCS460, DCS510, DCS5121, DE5045

2

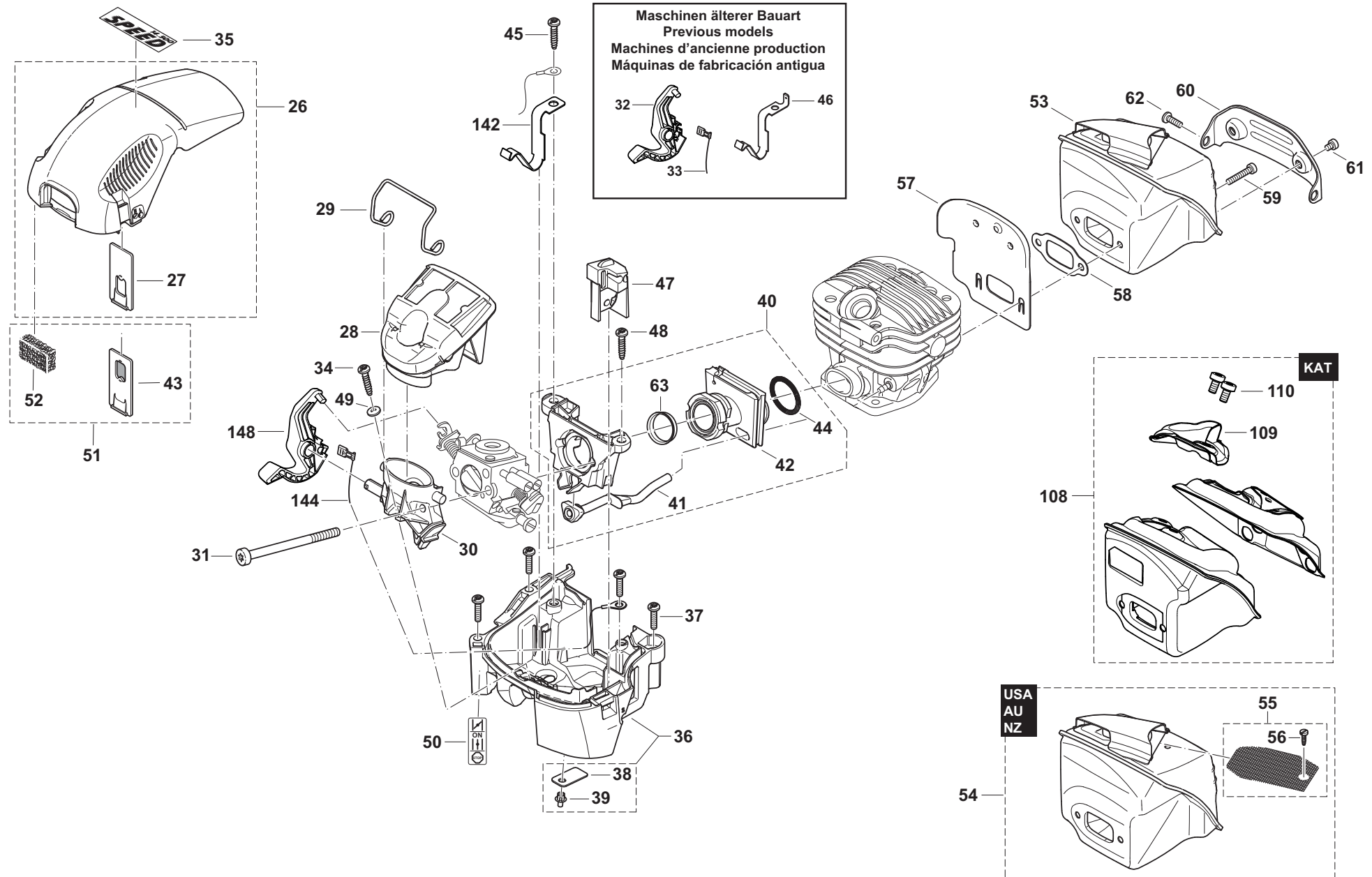
Abdeckhaube, Luftfilter, Schalldämpfer
 Hood, air filter, muffler
 Capot protecteur, filtre à air, pot d'échappement
 Cubierta protectora, filtro de aire, silencioso



DCS460, DCS461, DCS500, DCS501,
 DCS4600S, DCS4600SH, DCS5000,
 DCS5000H, DCS5001, DCS5001H, DCS5121,
 DCS460, DCS510, DCS5121, DE5045

2

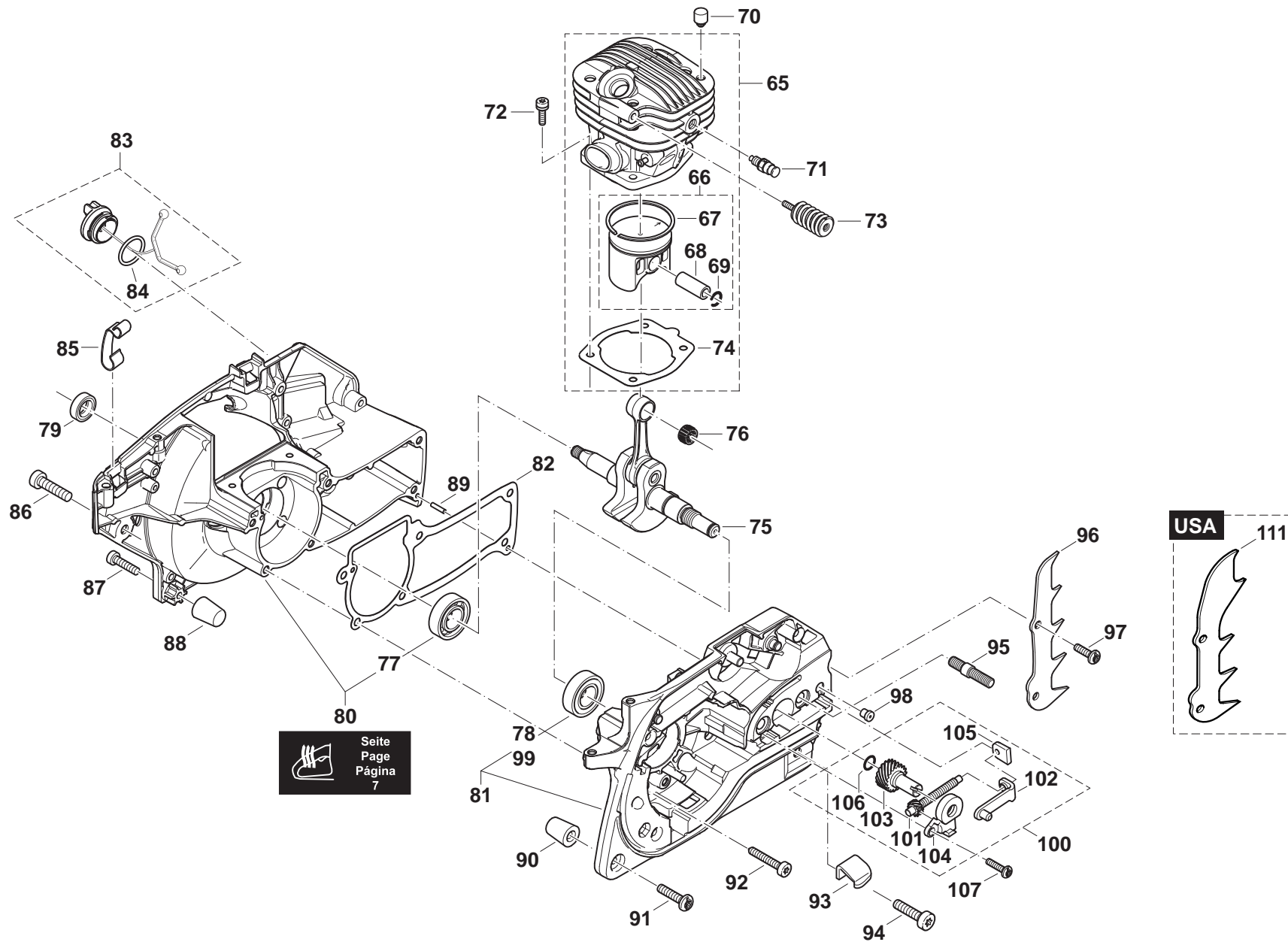
Abdeckhaube, Luftfilter, Schalldämpfer
 Hood, air filter, muffler
 Capot protecteur, filtre à air, pot d'échappement
 Cubierta protectora, filtro de aire, silencioso



DCS460, DCS461, DCS500, DCS501,
DCS4600S, DCS4600SH, DCS5000,
DCS5000H, DCS5001, DCS5001H, DCS5121,
DCS460, DCS510, DCS5121, DE5045

3

Zylinder, Kurbelgehäuse
Cylinder, crankcase
Cylindre, carter-vilebrequin
Cilindro, cárter cigüeñal



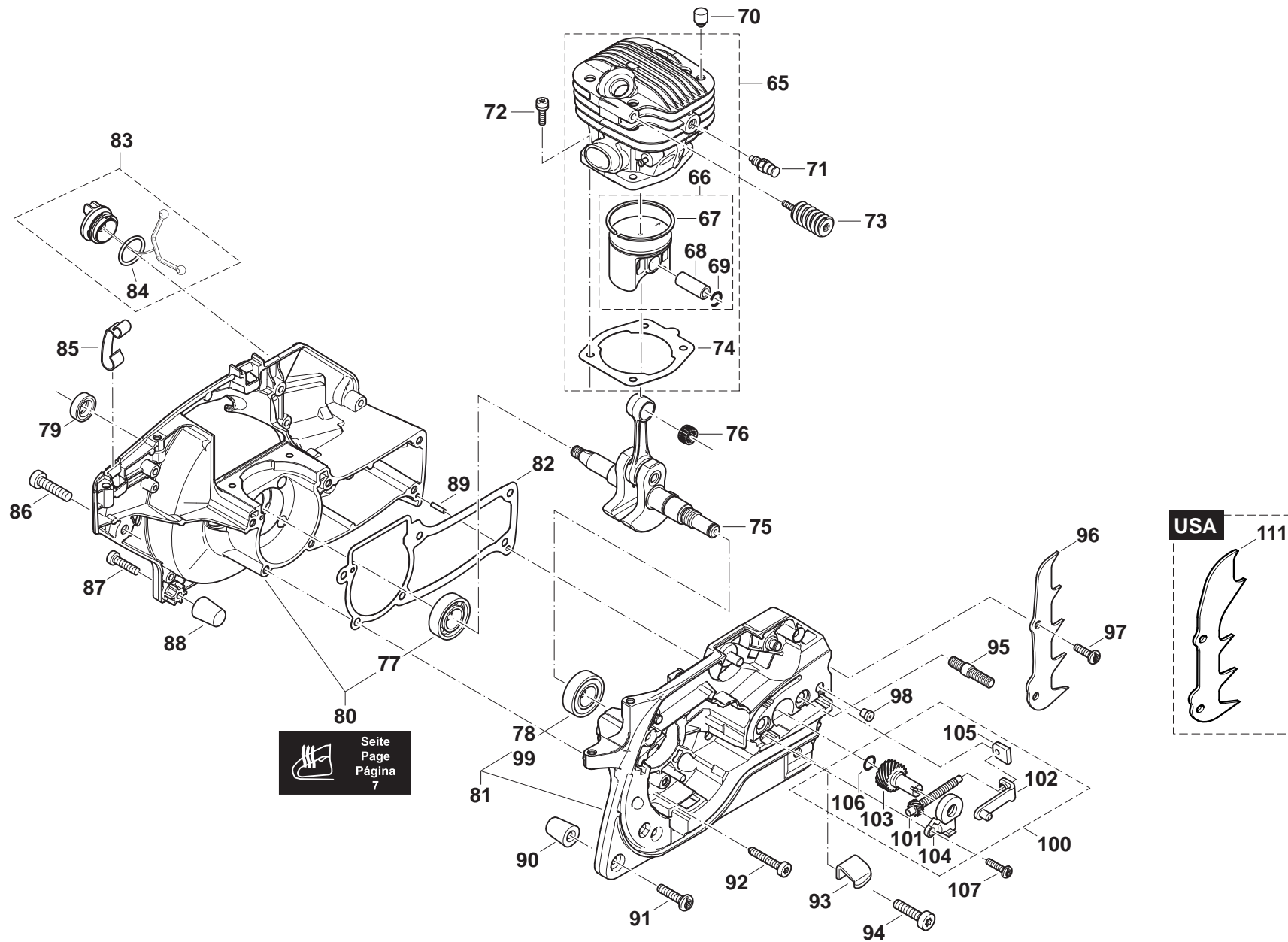
Seite
Page
Página
7

DCS460, DCS461, DCS500, DCS501,
DCS4600S, DCS4600SH, DCS5000,
DCS5000H, DCS5001, DCS5001H, DCS5121,
DCS460, DCS510, DCS5121, DE5045

3

Zylinder, Kurbelgehäuse
Cylinder, crankcase
Cylindre, carter-vilebrequin
Cilindro, cárter cigüeñal

Makita

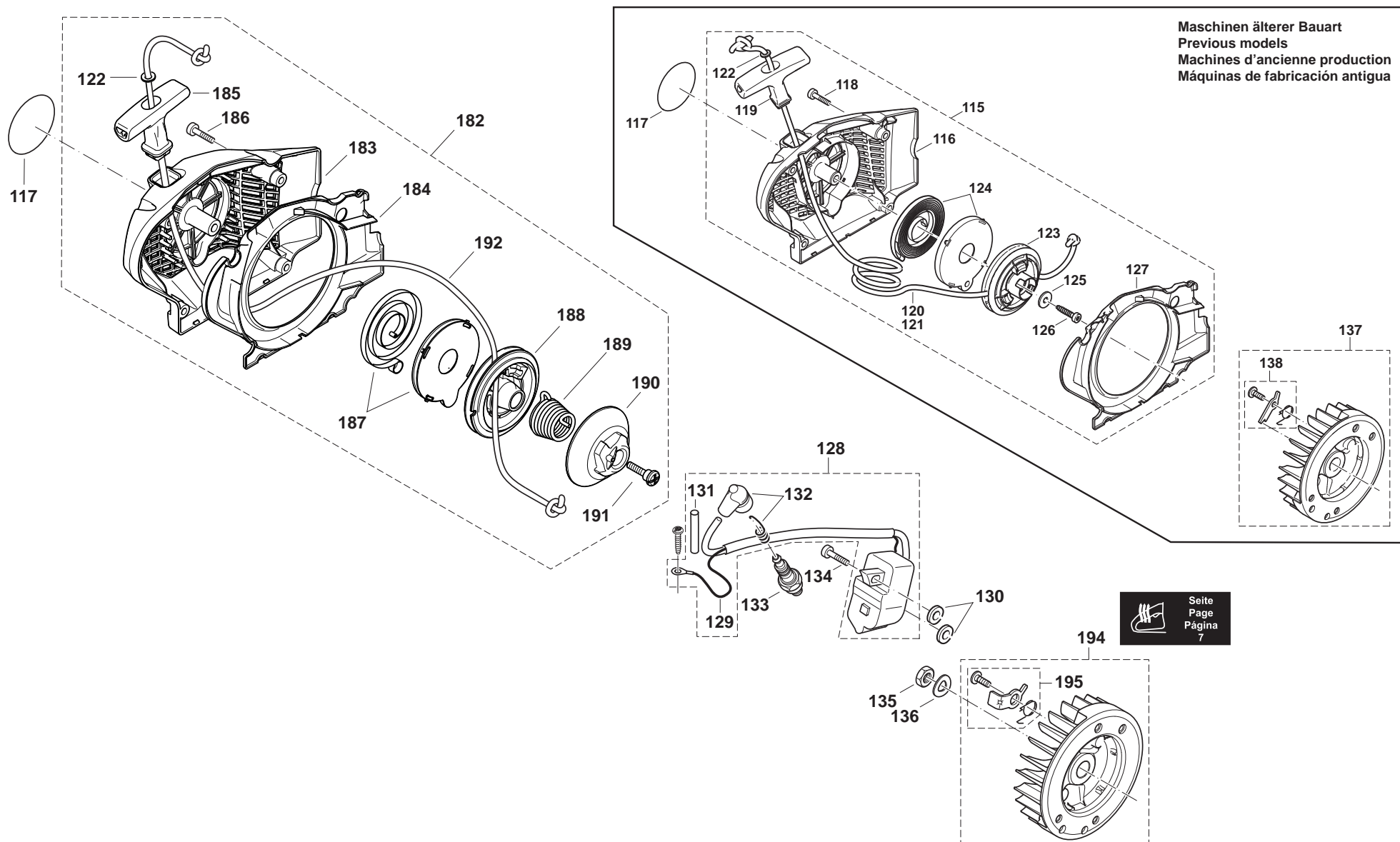


Seite
Page
Página
7

DCS460, DCS461, DCS500, DCS501,
DCS4600S, DCS4600SH, DCS5000,
DCS5000H, DCS5001, DCS5001H, DCS5121,
DCS460, DCS510, DCS5121, DE5045

4

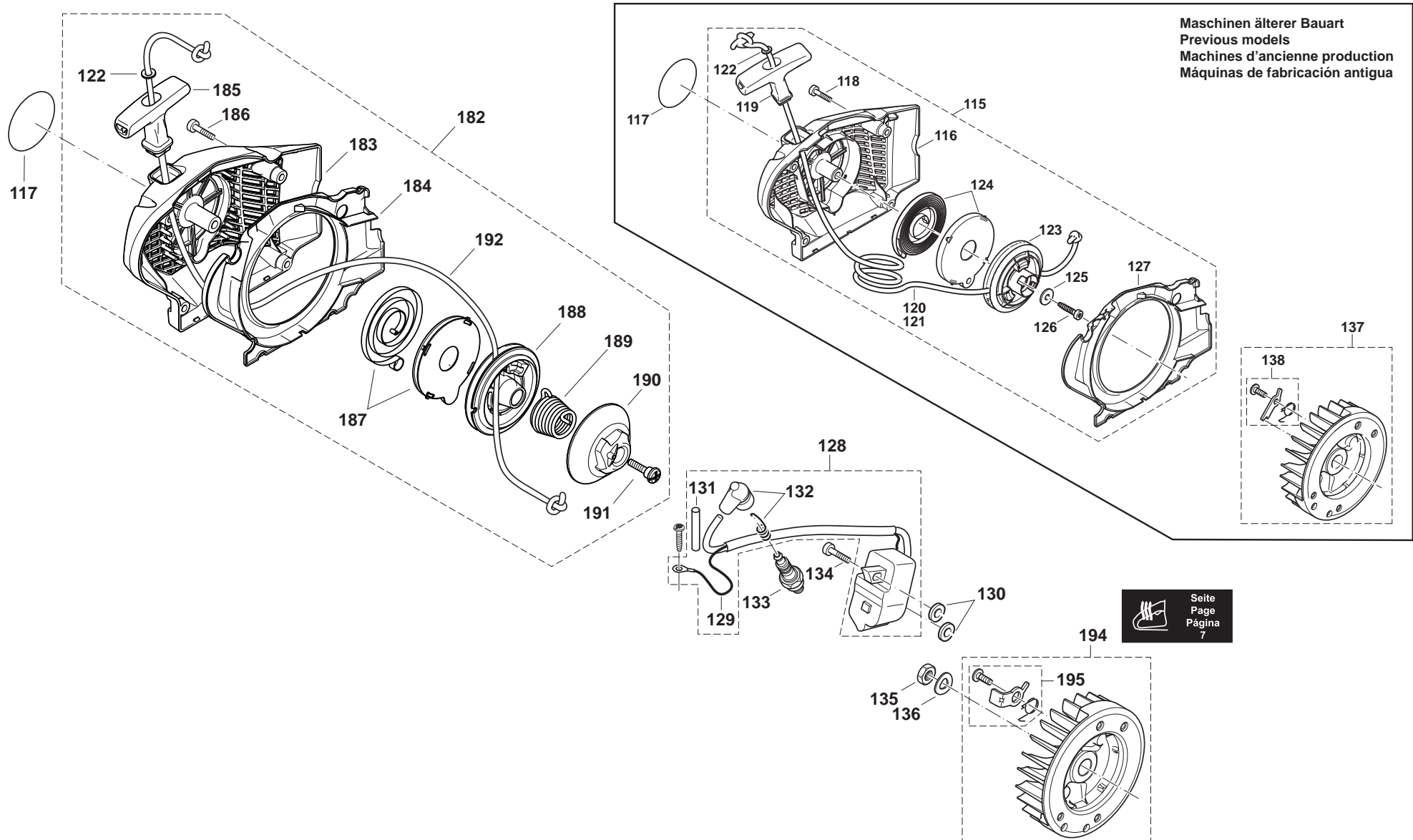
Zündelektronik, Anwerfvorrichtung
Ignition electronics, starter
Allumage électronique, dispositif de démarrage
Bobina encendido, dispositivo de arranque



DCS460, DCS461, DCS500, DCS501,
DCS4600S, DCS4600SH, DCS5000,
DCS5000H, DCS5001, DCS5001H, DCS5121,
DCS460, DCS510, DCS5121, DE5045

4

Zündelektronik, Anwerfvorrichtung
Ignition electronics, starter
Allumage électronique, dispositif de démarrage
Bobina encendido, dispositivo de arranque

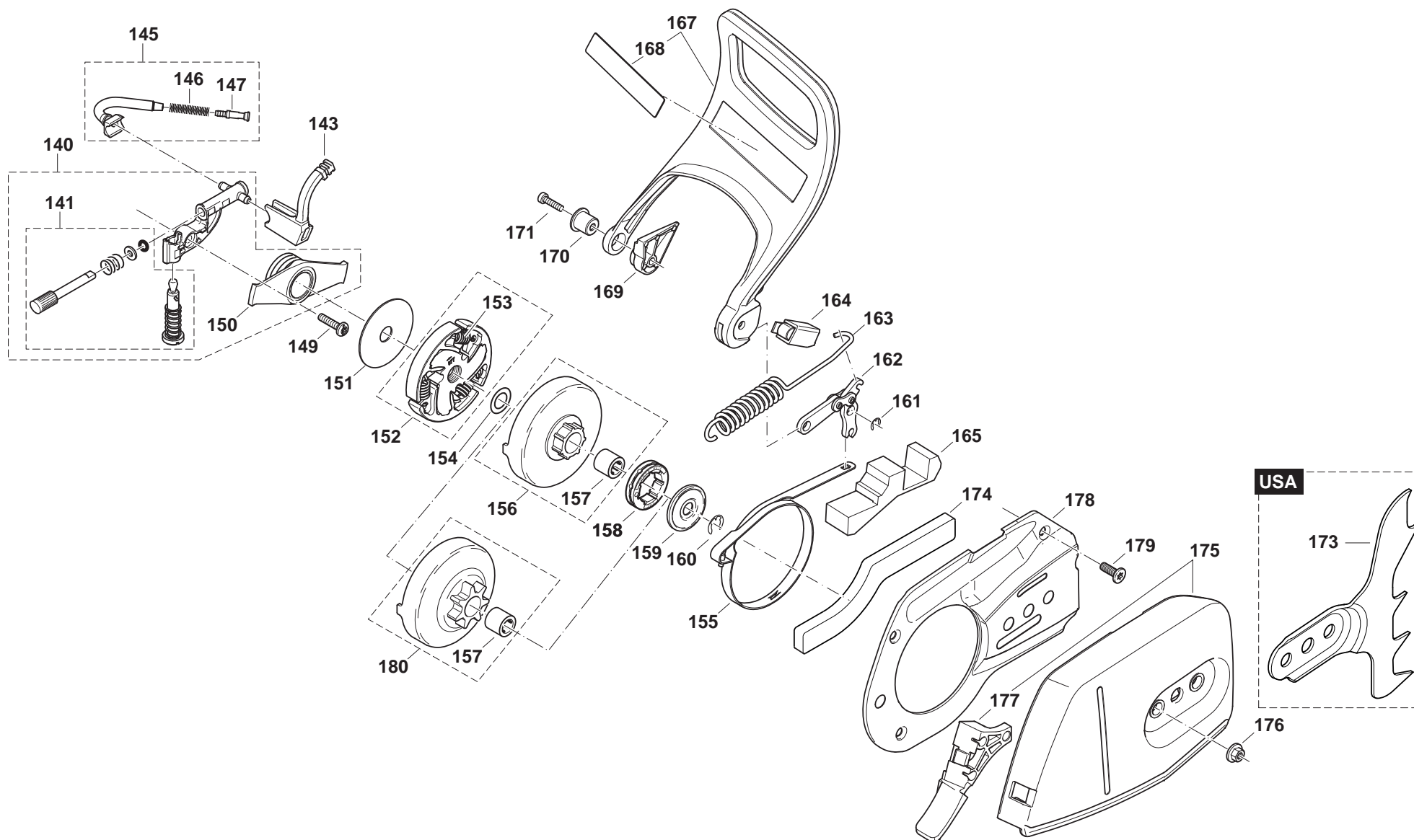


DCS460, DCS461, DCS500, DCS501,
DCS4600S, DCS4600SH, DCS5000,
DCS5000H, DCS5001, DCS5001H, DCS5121,
DCS460, DCS510, DCS5121, DE5045

5

Ölpumpe, Kupplung, Kettenbremse
Oil pump, clutch, chain brake
Pompe à huile, embrayage, frein de chaîne
Bomba de aceite, engrague, freno de cadena

Makita

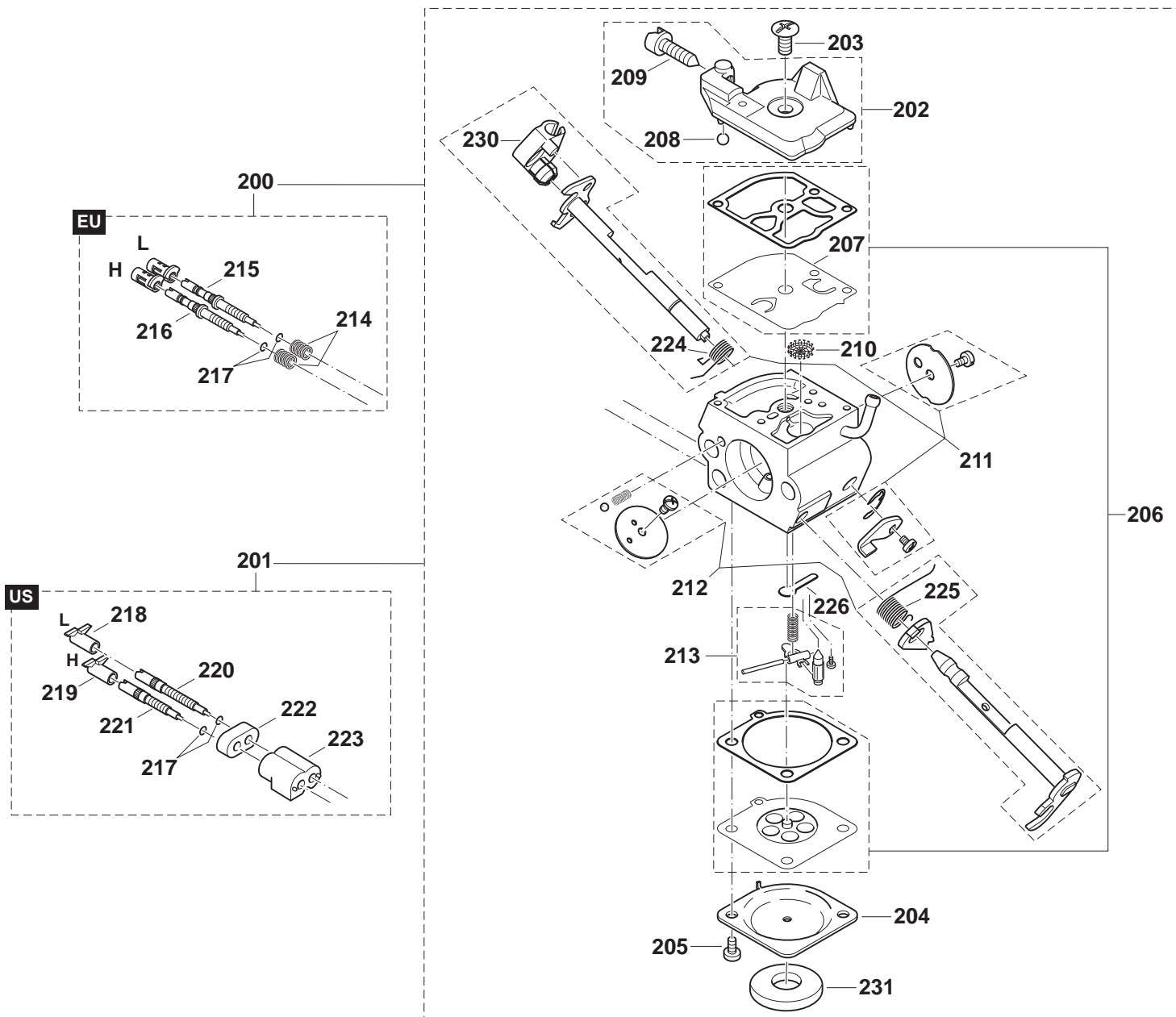


DCS460, DCS461, DCS500, DCS501,
DCS4600S, DCS4600SH, DCS5000,
DCS5000H, DCS5001, DCS5001H, DCS5121,
DCS460, DCS510, DCS5121, DE5045

6

Vergaser
Carburetor
Carburateur
Carburador

Makita

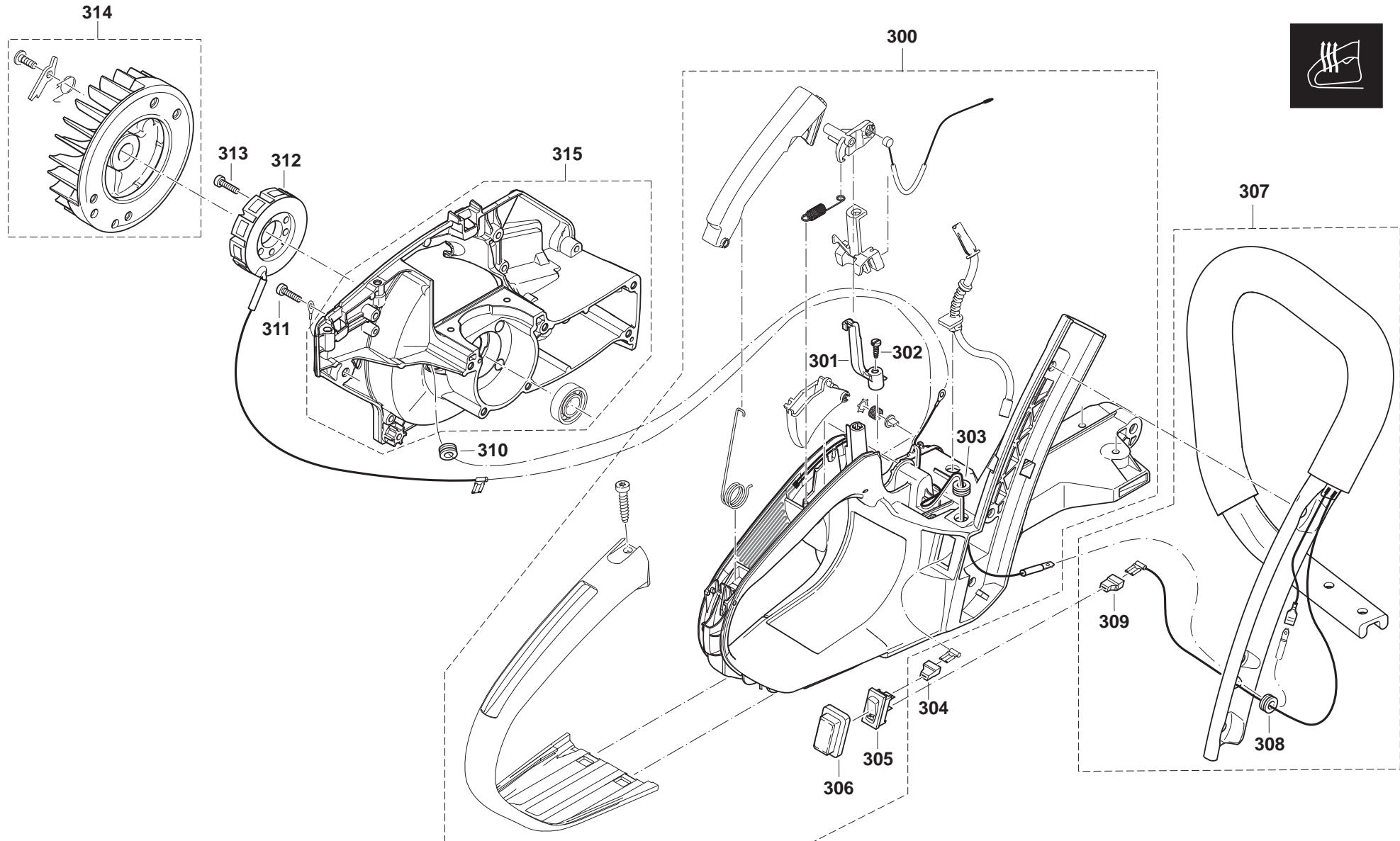


DCS460, DCS461, DCS500, DCS501,
DCS4600S, DCS4600SH, DCS5000,
DCS5000H, DCS5001, DCS5001H, DCS5121,
DCS460, DCS510, DCS5121, DE5045

7

Spezialteile für Ausrüstung mit elektrischer Griffheizung
Special parts for version with electric handle heating
Pièces spéciales pour version avec chauffage de la poignée (électrique)
Piezas especiales por tipo con calefacción eléctrica de mango

Makita[®]



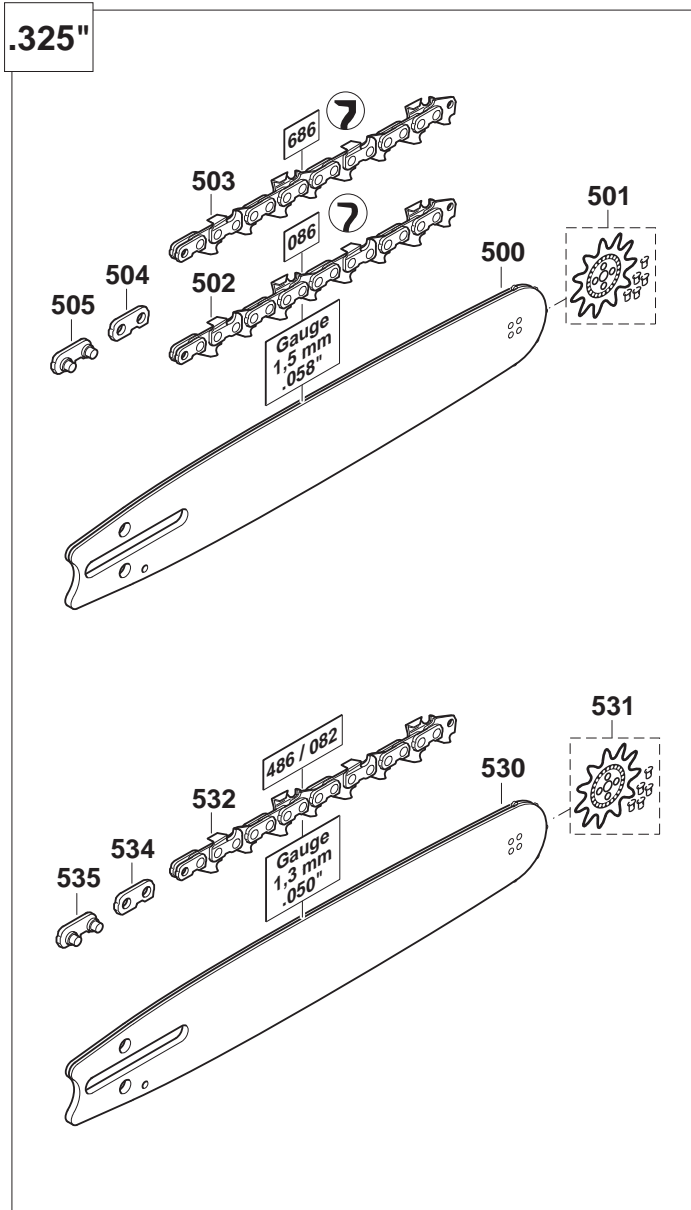
DCS460, DCS461, DCS500, DCS501,
DCS4600S, DCS4600SH, DCS5000,
DCS5000H, DCS5001, DCS5001H, DCS5121,
DCS460, DCS510, DCS5121, DE5045

8

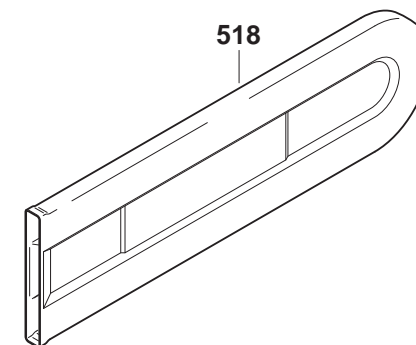
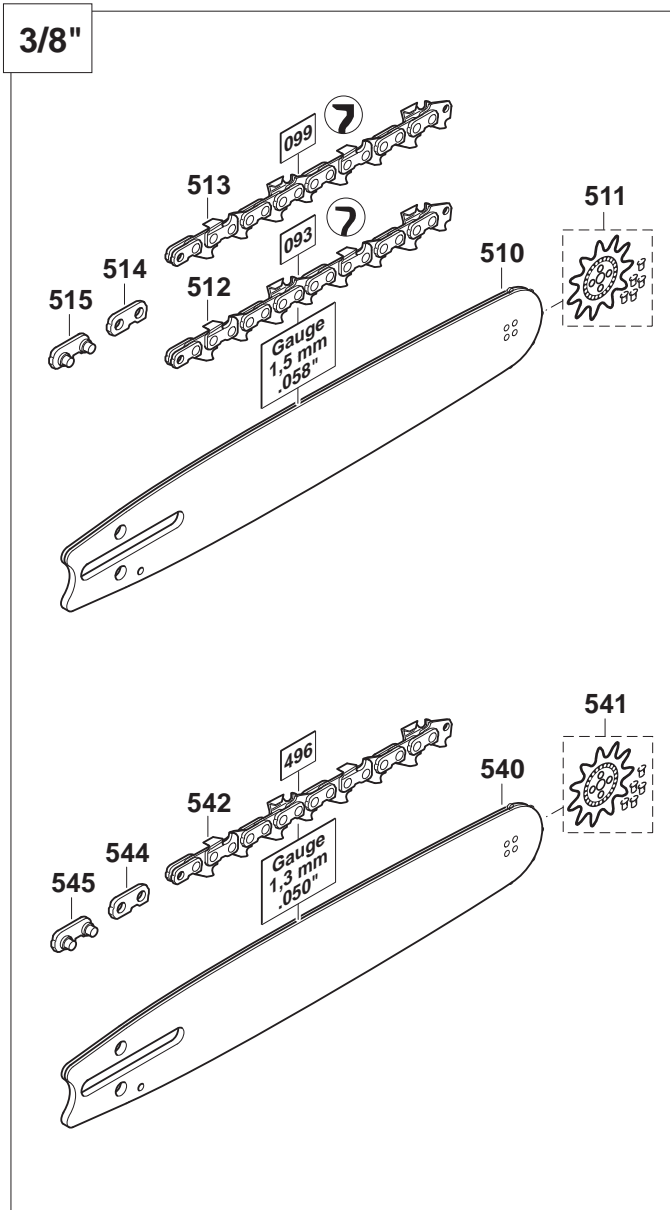
Sägeschienen, Sägeketten, Werkzeug
Guide bars, saw chains, tools
Guide-chaîne, chaînes, outils
Rieles guía, cadenas sierra, herramientas



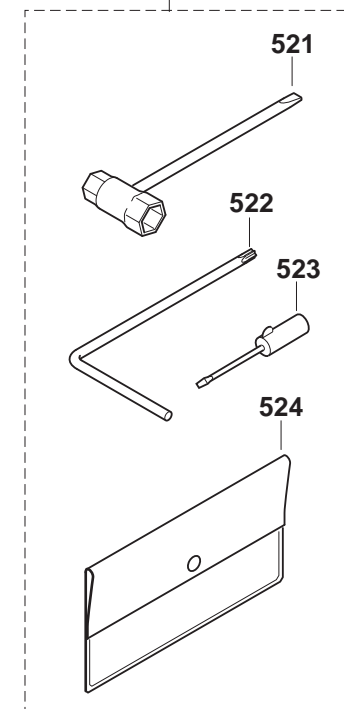
.325"



3/8"



520



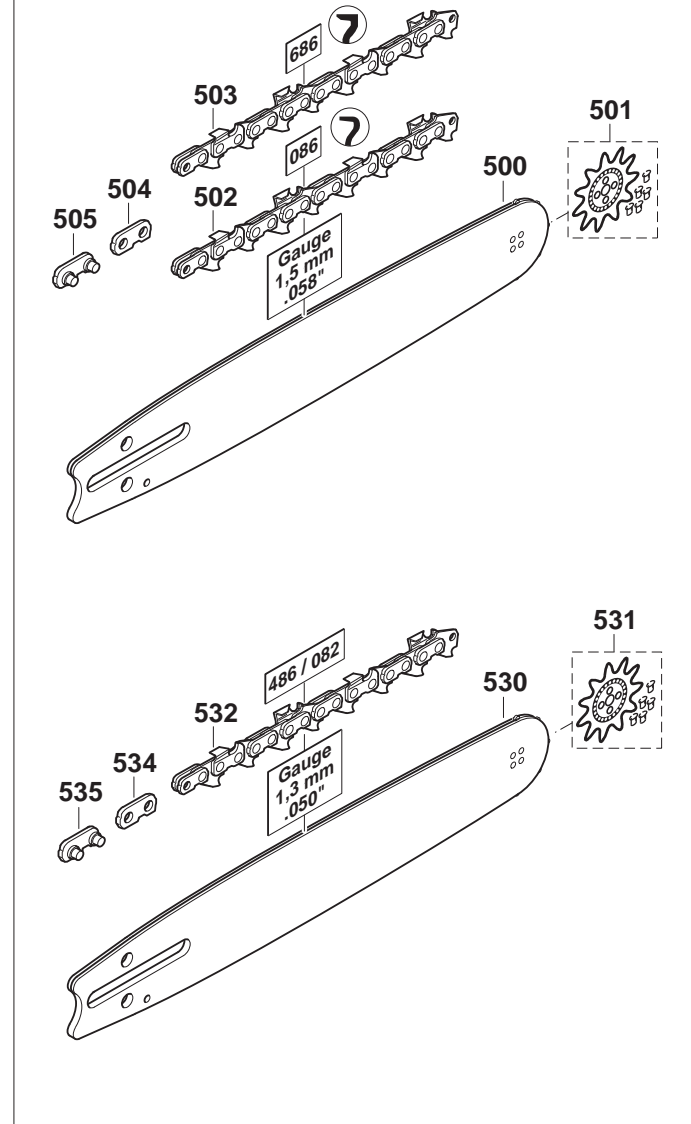
DCS460, DCS461, DCS500, DCS501,
DCS4600S, DCS4600SH, DCS5000,
DCS5000H, DCS5001, DCS5001H, DCS5121,
DCS460, DCS510, DCS5121, DE5045

8

Sägeschienen, Sägeketten, Werkzeug
Guide bars, saw chains, tools
Guide-chaîne, chaînes, outils
Rieles guía, cadenas sierra, herramientas



.325"



3/8"

